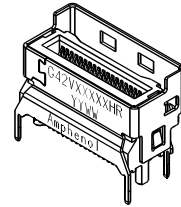
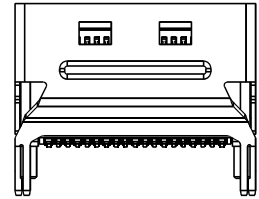
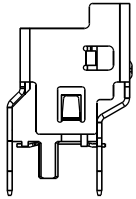
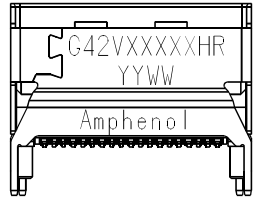


This document is the property of Amphenol Corporation and is delivered on the express condition that it is not to be disclosed, reproduced or used, in whole or in part, for manufacture or sale by anyone other than Amphenol Corporation without its prior consent, and that no right is granted to disclose or to use any information in this document.

The marking on this product doesn't contain environmental hazardous materials per directive 2011/65/EU & 2015/863/EU for RoHS compliant & per IEC 61249-2-21 for Halogen-Free compliant.

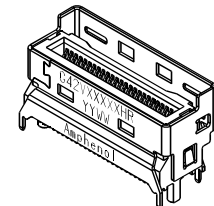
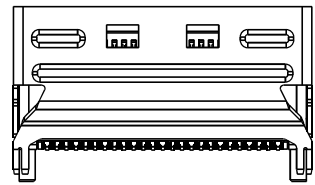
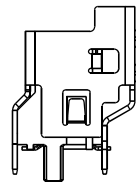
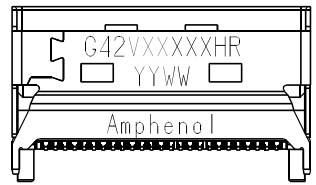
REVISIONS				
SYM	ECN No.	DESCRIPTION	DATE	BY
AX22	NA	ADDED COMPONENT KEEP OUT AREA LIMIT HEIGHT	10/31/2019	JOAN LU
AX23	NA	UPDATED QTY OF PACKAGE	12/17/2019	JOAN LU
AX24	NA	1.CORRECT DIM J IN TABLE FOR G42VXXXXXHR 2.REVISED LATCH HOLE DIMENSION FROM 1.10 TO 1.15MM	09/02/2020	JOAN LU
AX25	NA	RECOMMENDED AIC MATING CARD CHAMFER CHANGE FROM 0.75 TO 0.3	02/02/2021	JOAN LU
AX26	NA	ADDED NOTE ITEM 5	03/02/2021	JOAN LU

G42VX1XXXHR

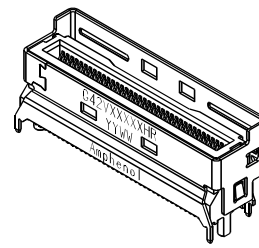
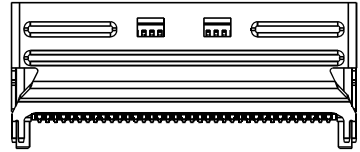
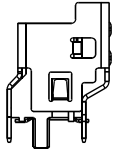
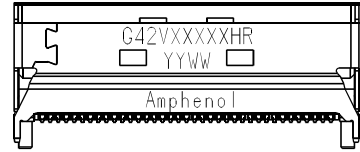


CAP DIMENSION
APPLICABLE PART NUMBER:
G42VX1XX2HR
G42VX2XX2HR
G42VX5XX2HR

G42VX5XXXHR



G42VX2XXXHR



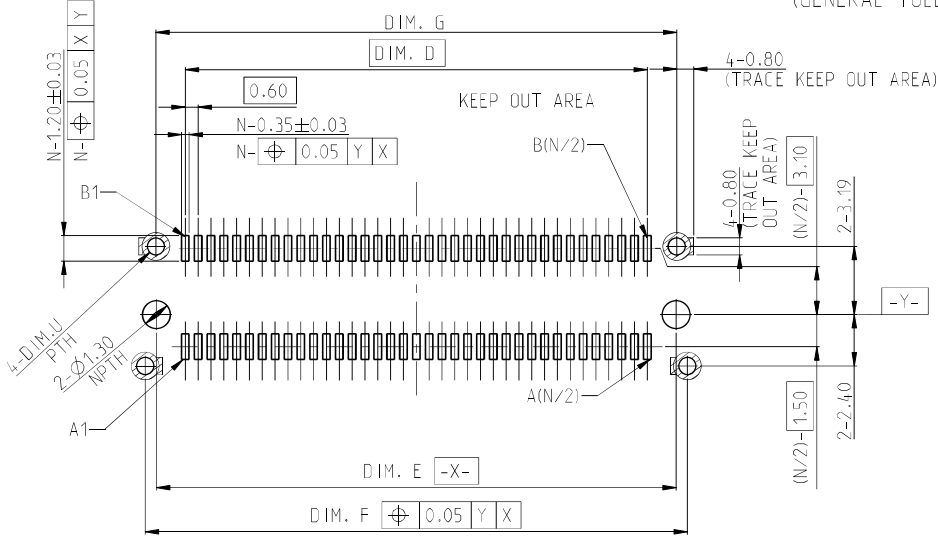
<p>TOLERANCE</p> <p>X. ±0.30</p> <p>X.X ±0.20</p> <p>X.XX ±0.10</p> <p>X.XXX ±0.10</p> <p>ANGULAR ±2°</p> <p>UNLESS OTHERWISE SPECIFIED</p>	<p>DRAWN</p> <p>APPROVALS</p> <p>DATE</p>	<p>TITLE</p> <p>MINI COOL EDGE 10 INTEGRATED CONNECTOR 0.6 PITCH, VERTICAL STANDARD. SMT TYPE</p>	<p>Amphenol®</p> <p>Amphenol Corporation Amphenol Taiwan Corporation</p>		
	<p>DESIGNED</p> <p>Joan Lu</p> <p>03/02/2021</p>	<p>CHECKED</p> <p>Sondra Sang</p> <p>03/02/2021</p>	<p>UNIT</p> <p>mm</p>	<p>SIZE</p> <p>A3</p>	<p>PART No.</p> <p>G42VXXXXXHR</p>
	<p>APPROVED</p> <p>Hank Hsu</p> <p>03/02/2021</p>	<p>DWG TYPE</p> <p>CUST DWG</p>	<p>PROJECT CODE</p> <p>T631</p>		<p>SCALE</p> <p>NA</p>
	<p>SHEET</p> <p>2 OF 8</p>	<p>DWG No.</p> <p>G42VXXXXXHR</p>	<p>REV.</p> <p>AX26</p>		

This document is the property of Amphenol Corporation and is delivered on the express condition that it is not to be disclosed, reproduced or used, in whole or in part, for manufacture or sale by anyone other than Amphenol Corporation without its prior consent, and that no right is granted to disclose or to use any information in this document.

The marking on this product doesn't contain environmental hazardous materials per directive 2011/65/EU & 2015/863/EU for RoHS compliant & per IEC 61249-2-21 for Halogen-Free compliant.

REVISIONS				
SYM	ECN No.	DESCRIPTION	DATE	BY
AX22	NA	ADDED COMPONENT KEEP OUT AREA LIMIT HEIGHT	10/31/2019	JOAN LU
AX23	NA	UPDATED QTY OF PACKAGE	12/17/2019	JOAN LU
AX24	NA	1.CORRECT DIM J IN TABLE FOR G42VXXXXXHR 2.REVISED LATCH HOLE DIMENSION FROM 1.10 TO 1.15MM	09/02/2020	JOAN LU
AX25	NA	RECOMMENDED AIC MATING CARD CHAMFER CHANGE FROM 0.75 TO 0.3	02/02/2021	JOAN LU
AX26	NA	ADDED NOTE ITEM 5	03/02/2021	JOAN LU

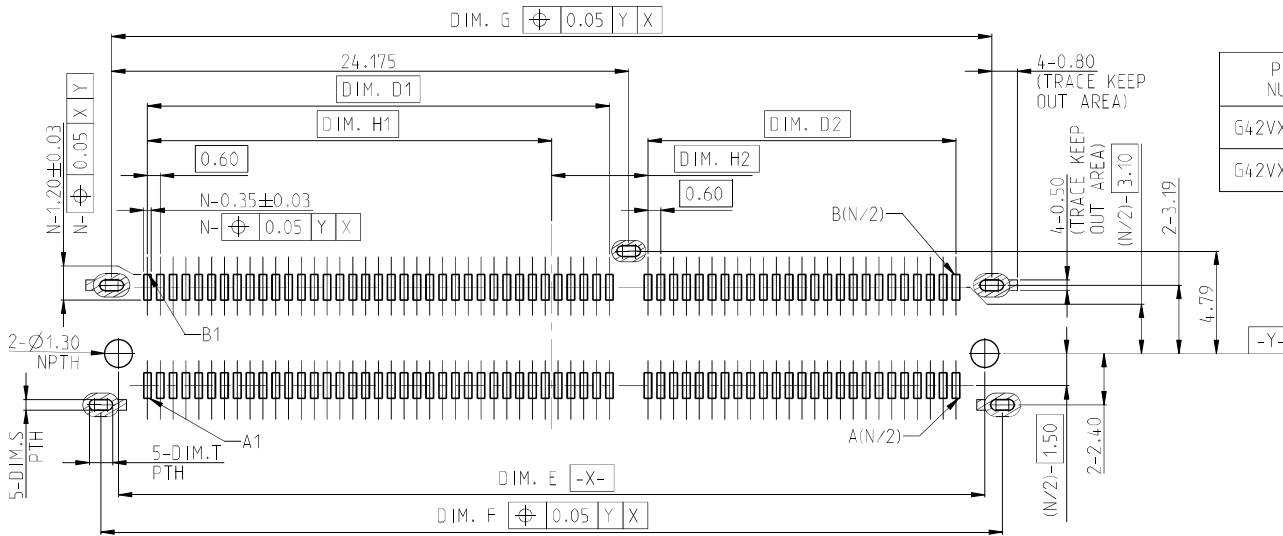
RECOMMENDED PCB LAYOUT
(GENERAL TOLERANCES :+/-0.05)



PART NUMBER	POS. (N)	DIM. D	DIM. E	DIM. F	DIM. G
G42VX1XXXXHR	38	10.80	13.50	14.55	13.55
G42VX5XXXXHR	50	14.40	17.10	18.15	17.15
G42VX2XXXXHR	74	21.60	24.30	25.35	24.35

PART NUMBER (APPLY TO 38P/74P/50P)	DIM. U
G42VXXXX1XHR	0.8
G42VXXXX2XHR	
G42VXXXX3XHR	
G42VXXXX4XHR	

PART NUMBER	POS. (N)	DIM. D1	DIM. D2	DIM. E	DIM. F	DIM. G	DIM. H1	DIM. H2
G42VX4XXXXHR	124	21.60	14.40	40.50	42.15	41.15	18.90	4.50
G42VX6XXXXHR	148	21.60	21.60	47.70	49.35	48.35	22.50	0.90



PART NUMBER	POS. (N)	DIM. S	DIM. T
G42VX4XX1XHR	124	0.5	1.1
G42VX4XX2XHR			
G42VX4XX3XHR			
G42VX4XX4XHR	148	0.65	1.3
G42VX6XXXXHR			



TOLERANCE	APPROVALS	DATE
X. ±0.30	DESIGNED Joan Lu	03/02/2021
X.X ±0.20	CHECKED Sondra Sang	03/02/2021
X.XX ±0.10	APPROVED Hank Hsu	03/02/2021
ANGULAR ±2°	DWG TYPE CUST DWG	PROJECT CODE T631

TITLE	UNIT	SIZE	PART No.
MINI COOL EDGE IO INTEGRATED CONNECTOR 0.6 PITCH, VERTICAL STANDARD. SMT TYPE	MM	A3	G42VXXXXXHR
UNLESS OTHERWISE SPECIFIED	SCALE NA	SHEET 4 OF 8	DWG No. G42VXXXXXHR

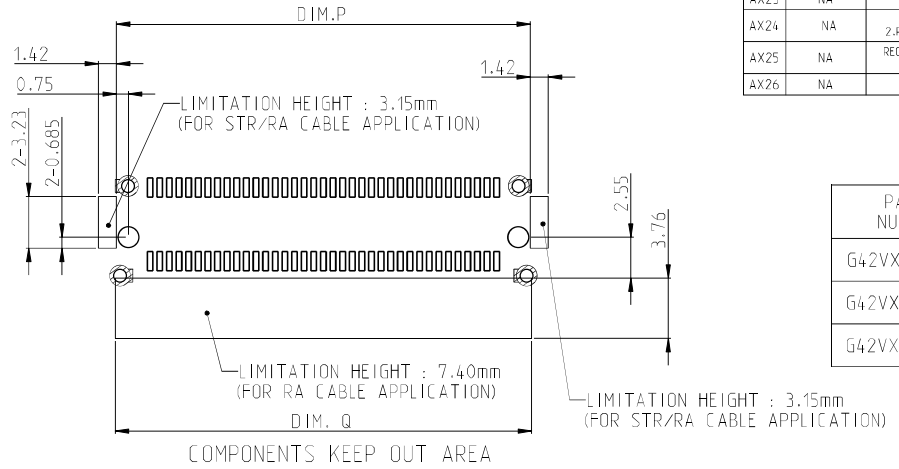
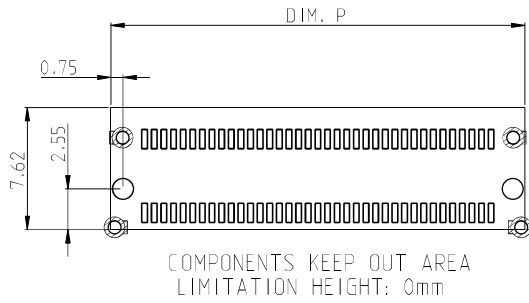
Amphenol®
Amphenol Corporation
Amphenol Taiwan Corporation

REV. AX26

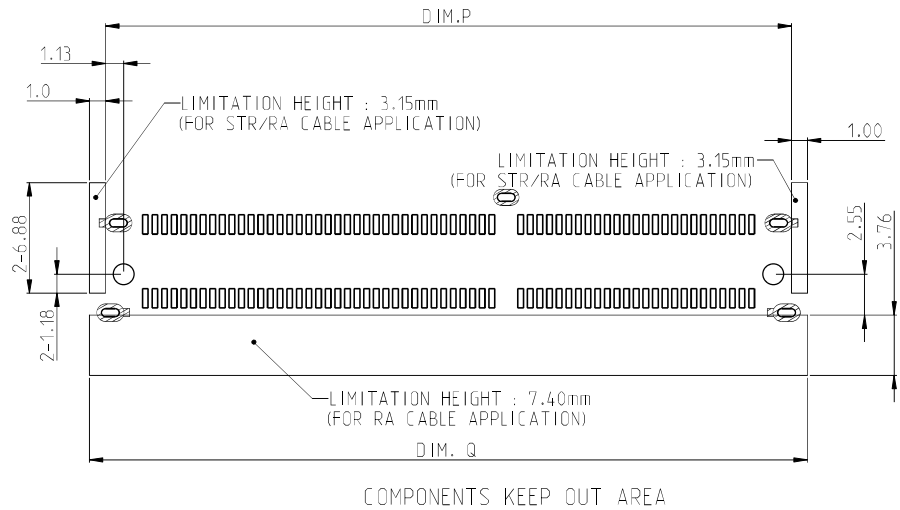
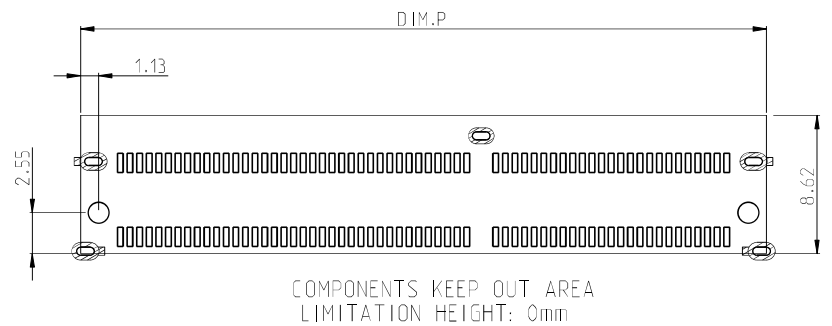
This document is the property of Amphenol Corporation and is delivered on the express condition that is not to be disclosed, reproduced or used, in whole or in part, for manufacture or sale by anyone other than Amphenol Corporation without its prior consent, and that no right is granted to disclose or to use any information in this document.

The marking on this product doesn't contain environmental hazardous materials per directive 2011/65/EU & 2015/863/EU for RoHS compliant & per IEC 61249-2-21 for Halogen-Free compliant.

REVISIONS				
SYM	ECN No.	DESCRIPTION	DATE	BY
AX22	NA	ADDED COMPONENT KEEP OUT AREA LIMIT HEIGHT	10/31/2019	JOAN LU
AX23	NA	UPDATED QTY OF PACKAGE	12/17/2019	JOAN LU
AX24	NA	1.CORRECT DIM J IN TABLE FOR G42VX0XXXHR 2.REVISED LATCH HOLE DIMENSION FROM 1.10 TO 1.15MM	09/02/2020	JOAN LU
AX25	NA	RECOMMENDED AIC MATING CARD CHAMFER CHANGE FROM 0.75 TO 0.3	02/02/2021	JOAN LU
AX26	NA	ADDED NOTE ITEM 5	03/02/2021	JOAN LU



PART NUMBER	POS. (N)	DIM. P	DIM. Q
G42VX1XXXXHR	38	15.00	15.15
G42VX5XXXXHR	50	18.60	18.75
G42VX2XXXXHR	74	25.80	25.95

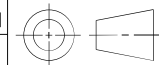


PART NUMBER	POS. (N)	DIM. P	DIM.Q
G42VX4XXXXHR	124	42.75	44.75
G42VX6XXXXHR	148	49.95	51.95



TOLERANCE	DRAWN APPROVALS	DATE	TITLE	UNIT	SIZE	PART No.
X. X.X ±0.30 X.XX ±0.20 X.XXX ±0.10	DESIGNED Joan Lu	03/02/2021	MINI COOL EDGE IO INTEGRATED CONNECTOR 0.6 PITCH, VERTICAL STANDARD. SMT TYPE	mm	A3	G42VXXXXXHR
	CHECKED Sondra Sang	03/02/2021				
ANGULAR ±2°	APPROVED Hank Hsu	03/02/2021				
UNLESS OTHERWISE SPECIFIED	DWG TYPE CUST DWG	PROJECT CODE T631		SCALE NA	SHEET 5 OF 8	DWG No. G42VXXXXXHR

Amphenol®
Amphenol Corporation
Amphenol Taiwan Corporation



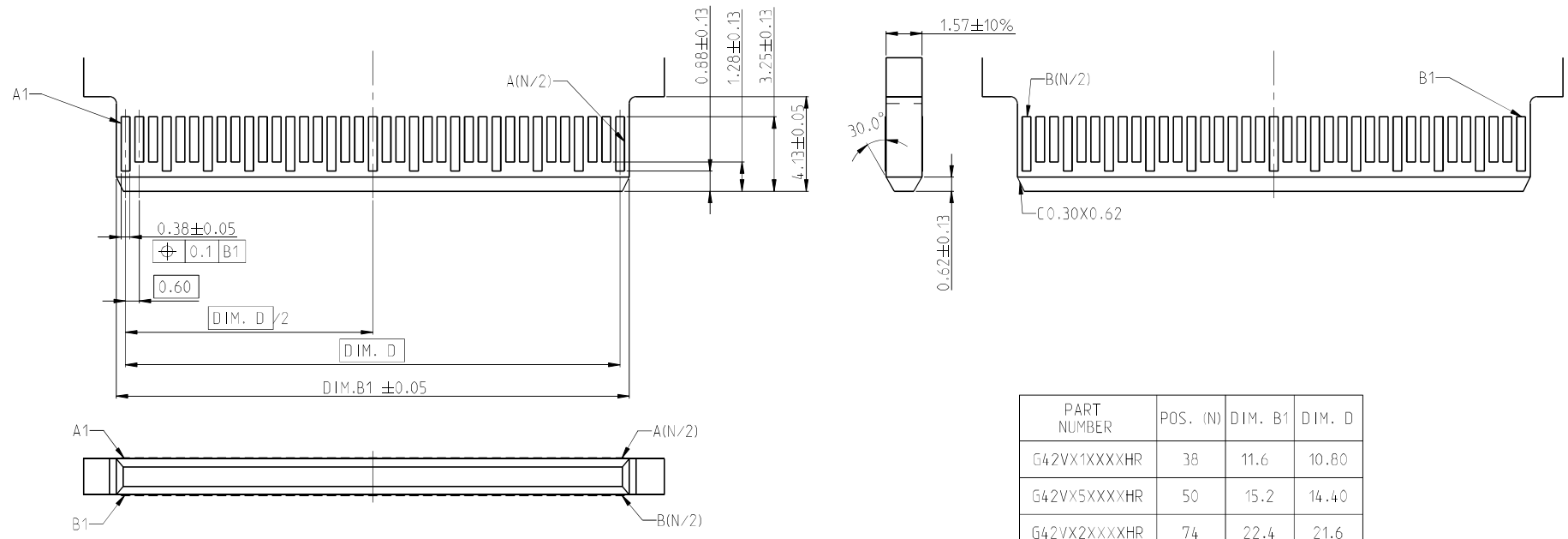
REV. AX26

This document is the property of Amphenol Corporation and is delivered on the express condition that it is not to be disclosed, reproduced or used, in whole or in part, for manufacture or sale by anyone other than Amphenol Corporation without its prior consent, and that no right is granted to disclose or to use any information in this document.

The marking on this product doesn't contain environmental hazardous materials per directive 2011/65/EU & 2015/863/EU for RoHS compliant & per IEC 61249-2-21 for Halogen-Free compliant.

REVISIONS				
SYM	ECN No.	DESCRIPTION	DATE	BY
AX22	NA	ADDED COMPONENT KEEP OUT AREA LIMIT HEIGHT	10/31/2019	JOAN LU
AX23	NA	UPDATED QTY OF PACKAGE	12/17/2019	JOAN LU
AX24	NA	1.CORRECT DIM J IN TABLE FOR G42VXXXXHR 2.REVISED LATCH HOLE DIMENSION FROM 1.10 TO 1.15MM	09/02/2020	JOAN LU
AX25	NA	RECOMMENDED AIC MATING CARD CHAMFER CHANGE FROM C0.75 TO C0.3	02/02/2021	JOAN LU
AX26	NA	ADDED NOTE ITEM 5	03/02/2021	JOAN LU

RECOMMENDED AIC MATING CARD DIMENSIONS



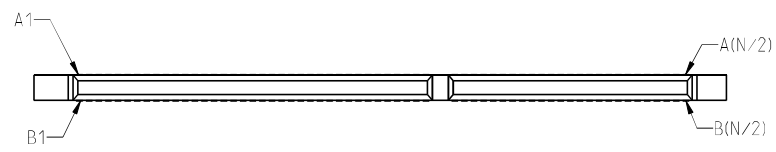
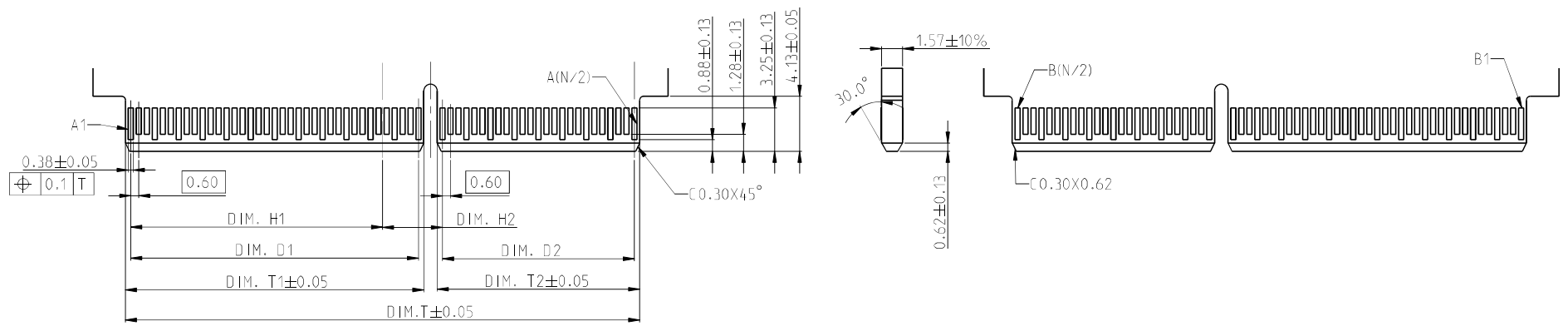
TOLERANCE	APPROVALS	DATE	TITLE	Amphenol® Amphenol Corporation Amphenol Taiwan Corporation		
X. ±0.30 X.X ±0.20 X.XX ±0.10 X.XXX ±0.10	DESIGNED Joan Lu	03/02/2021	MINI COOL EDGE 10 INTEGRATED CONNECTOR 0.6 PITCH, VERTICAL STANDARD. SMT TYPE	UNIT	SIZE	PART No.
ANGULAR ±2°	CHECKED Sondra Sang	03/02/2021		mm	A3	G42VXXXXHR
UNLESS OTHERWISE SPECIFIED	APPROVED Hank Hsu	03/02/2021		SCALE	SHEET	DWG No.
	DWG TYPE CUST DWG	PROJECT CODE T631		NA	6 OF 8	G42VXXXXHR

This document is the property of Amphenol Corporation and is delivered on the express condition that it is not to be disclosed, reproduced or used, in whole or in part, for manufacture or sale by anyone other than Amphenol Corporation without its prior consent, and that no right is granted to disclose or to use any information in this document.

The marking on this product doesn't contain environmental hazardous materials per directive 2011/65/EU & 2015/863/EU for RoHS compliant & per IEC 61249-2-21 for Halogen-Free compliant.

REVISIONS				
SYM	ECN No.	DESCRIPTION	DATE	BY
AX22	NA	ADDED COMPONENT KEEP OUT AREA LIMIT HEIGHT	10/31/2019	JOAN LU
AX23	NA	UPDATED QTY OF PACKAGE	12/17/2019	JOAN LU
AX24	NA	1.CORRECT DIM J IN TABLE FOR G42VX6XXXXHR 2.REVISED LATCH HOLE DIMENSION FROM 1.10 TO 1.15MM	09/02/2020	JOAN LU
AX25	NA	RECOMMENDED AIC MATING CARD CHAMFER CHANGE FROM C0.75 TO C0.3	02/02/2021	JOAN LU
AX26	NA	ADDED NOTE ITEM 5	03/02/2021	JOAN LU

RECOMMENDED AIC MATING CARD DIMENSIONS



PART NUMBER	POS. (N)	DIM. D1	DIM. D2	DIM. H1	DIM. H2	DIM. T	DIM. T1	DIM. T2
G42VX4XXXXHR	124	21.60	14.40	18.90	4.50	38.6	22.4	15.2
G42VX6XXXXHR	148	21.60	21.60	22.50	0.90	45.8	22.4	22.4

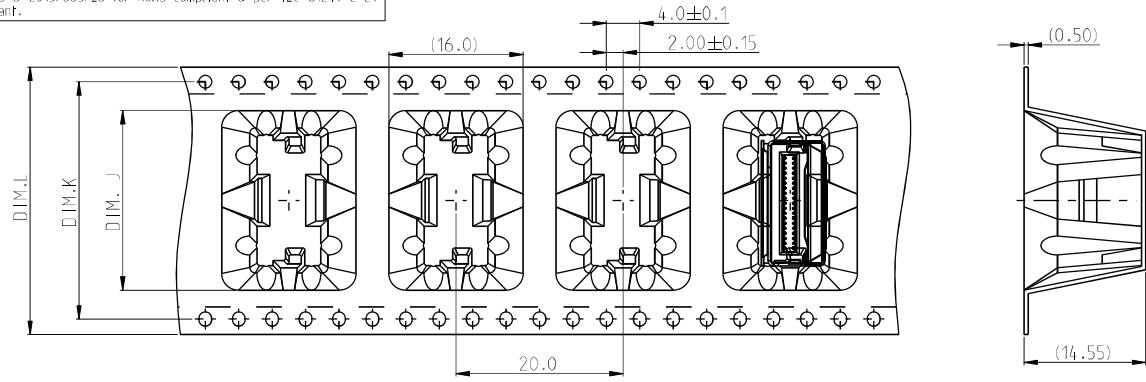


TOLERANCE	DRAWN APPROVALS	DATE	TITLE	UNIT		SIZE	PART No.
X. ±0.30	DESIGNED Joan Lu	03/02/2021	MINI COOL EDGE 10 INTEGRATED CONNECTOR 0.6 PITCH, VERTICAL STANDARD. SMT TYPE	mm		A3	G42VXXXXHR
X.XX ±0.20	CHECKED Sondra Sang	03/02/2021		SCALE		7 OF 8	
X.XXX ±0.10	APPROVED Hank Hsu	03/02/2021		NA		DWG No.	G42VXXXXHR
ANGULAR ±2°	DWG TYPE CUST DWG	PROJECT CODE T631		REV.		AX26	
UNLESS OTHERWISE SPECIFIED							

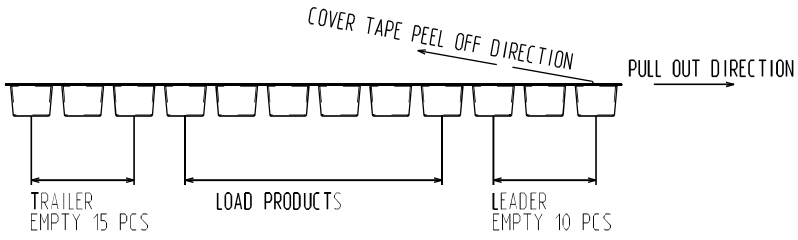
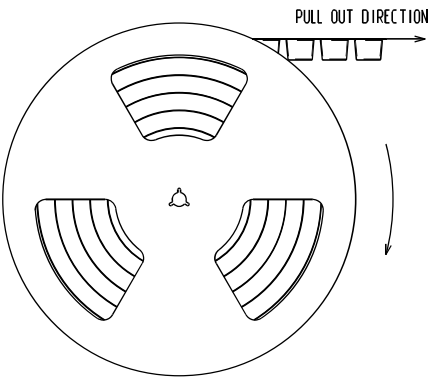
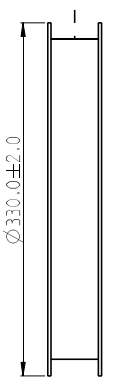
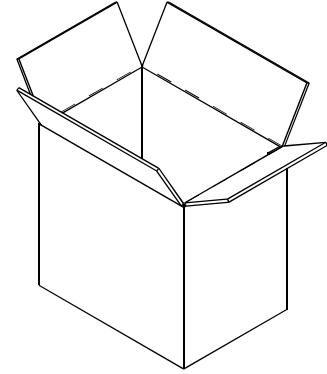
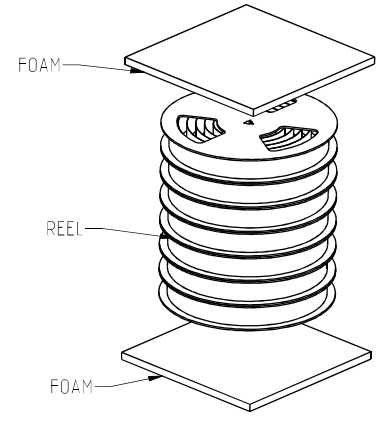
This document is the property of Amphenol Corporation and is delivered on the express condition that it is not to be disclosed, reproduced or used, in whole or in part, for manufacture or sale by anyone other than Amphenol Corporation without its prior consent, and that no right is granted to disclose or to use any information in this document.

The marking on this product doesn't contain environmental hazardous materials per directive 2011/65/EU & 2015/863/EU for RoHS compliant & per IEC 61249-2-21 for Halogen-Free compliant.

REVISIONS				
SYM	ECN No.	DESCRIPTION	DATE	BY
AX22	NA	ADDED COMPONENT KEEP OUT AREA LIMIT HEIGHT	10/31/2019	JOAN LU
AX23	NA	UPDATED QTY OF PACKAGE	12/17/2019	JOAN LU
AX24	NA	1.CORRECT DIM J IN TABLE FOR G42VX6XXXXHR 2.REVISED LATCH HOLE DIMENSION FROM 1.10 TO 1.15MM	09/02/2020	JOAN LU
AX25	NA	RECOMMENDED AIC MATING CARD CHAMFER CHANGE FROM 0.75 TO 0.3	02/02/2021	JOAN LU
AX26	NA	ADDED NOTE ITEM 5	03/02/2021	JOAN LU



PART NUMBER	POS. (N)	DIM. J	DIM. K	DIM. L	REEL (Q'TY)	CARTON (PCS)
G42VX1XXXXHR	38	(21.5)	28.4±0.1	32.0±0.3	7	1400
G42VX5XXXXHR	50	(27.7)	40.4±0.1	44.0±0.3	5	1000
G42VX2XXXXHR	74	(34.0)	52.4±0.1	56.0±0.3	4	800
G42VX4XXXXHR	124	(39.5)	68.40±0.1	72.0±0.3	3	600
G42VX6XXXXHR	148	(57.9)	68.40±0.1	72.0±0.3	3	600



- NOTE 2:
- CARTON SIZE 340L X 340W X 265H
 - PREFER TO AMTA LABELING STANDARD.
 - CARTON CLOSURES MUST BE SEALED WITH TAPE.



- NOTE 1:
- MATERIAL:
CARRIER TAPE: POLYSTYRENE, BLACK
COVER TAPE: TRANSPARENT POLYSTYRENE
REEL: POLYSTYRENE, BLACK
 - ALL TAPE AND REEL SPECIFICATION FOLLOW EIA-481 STANDARD.
 - THIS PRODUCT DOESN'T CONTAIN ENVIRONMENTAL HAZARDOUS MATERIALS PER DIRECTIVE 2011/65/EU & 2015/863/EU FOR ROHS AND PER IEC 61249-2-21 FOR HALOGEN FREE.

TOLERANCE	DRAWN APPROVALS	DATE
X, X.X ±0.30 X.XX ±0.20 X.XXX ±0.10	DESIGNED Joan Lu	03/02/2021
	CHECKED Sondra Sang	03/02/2021
ANGULAR ±2°	APPROVED Hank Hsu	03/02/2021
UNLESS OTHERWISE SPECIFIED	DWG TYPE CUST DWG	PROJECT CODE T631

TITLE	UNIT	SIZE	PART No.
MINI COOL EDGE 10 INTEGRATED CONNECTOR 0.6 PITCH, VERTICAL STANDARD. SMT TYPE	MM	A3	G42VXXXXXHR
	SCALE NA	SHEET 8 OF 8	DWG No. G42VXXXXXHR

Amphenol®
Amphenol Corporation
Amphenol Taiwan Corporation

REV. AX26