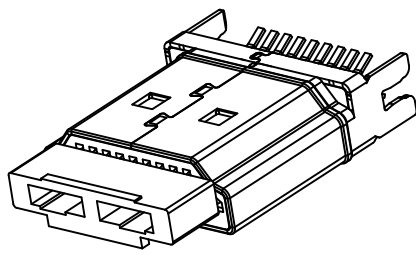
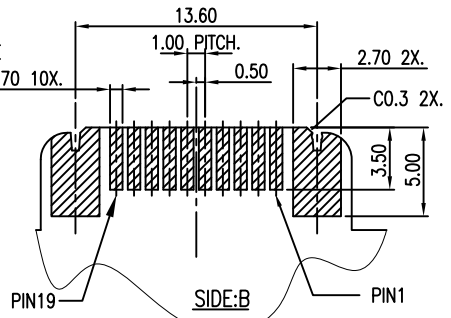
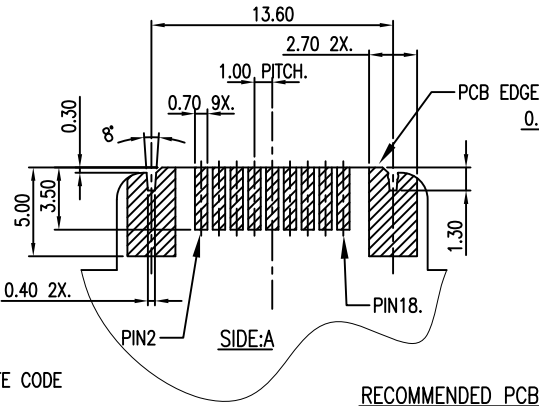
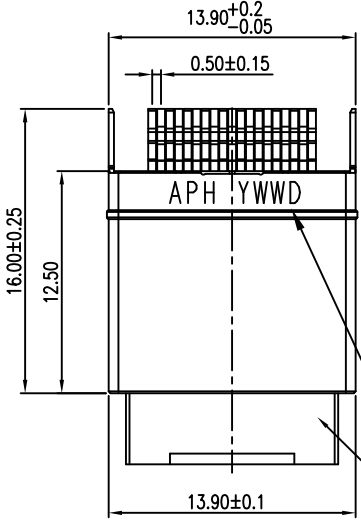


FOR REFERENCE ONLY

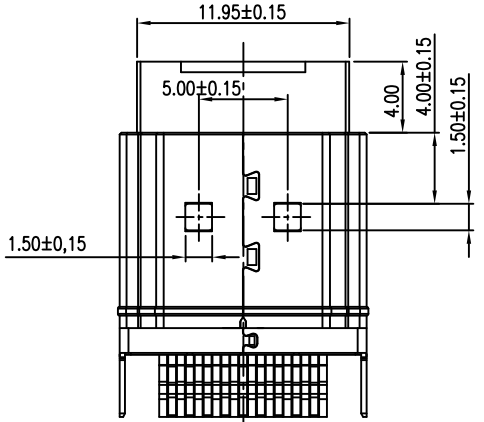
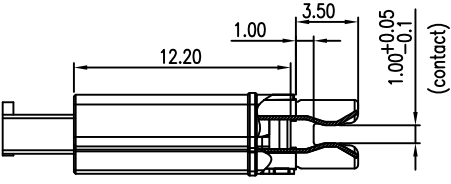
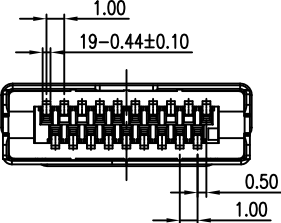
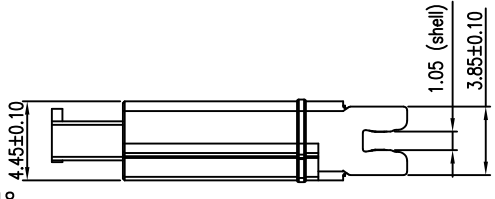
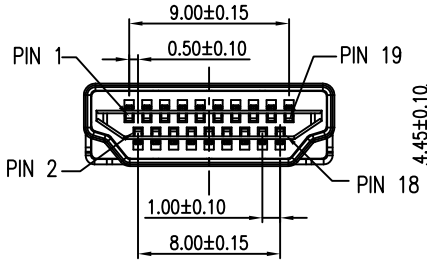
This document is the property of Amphenol Corporation and is delivered on the express condition that is not to be disclosed, reproduced or used, in whole or in part, for manufacture or sale by anyone other than Amphenol Corporation without its prior consent, and that no right is granted to disclose or to use any information in this document.  
The marking on this product doesn't contain environmental hazardous materials per Material Specification 55-00259 for Sony GP compliant or per directive 2011/65/EU for RoHS compliant.

REVISIONS				
SYM	ECN No.	DESCRIPTION	DATE	APPROVED
AX1	EDSR#5951	NON-RELEASE REVISION	12/21/2016	Arron Lin
AX2	EDSR#7022	UPDATE DRAWING TO STRADDEL PCB T=1.0	01/16/2017	Arron Lin
AX3		UPDATE DRAWING	02/07/2017	Arron Lin
AX4		ADD PACKING	05/03/2017	Arron Lin



RECOMMENDED PCB LAYOUT THICKNESS=1.0MM

- NOTES:
- MATERIAL:  
HOUSING: HIGH TEMPERATURE THERMAL PLASTIC, LCP, UL94V-0, COLOR: BLACK.  
TERMINAL: PHOSPHOR BRONZE.  
SHELL: SPCC
  - FINISH:  
TERMINAL:  
CONTACT AREA: SELECTIVE GOLD PLATING THICKNESS MIN.;  
SOLDERING AREA: MATTE TIN PLATING 100 μ" THICKNESS MIN.;  
UNDER PLATING: NICKEL PLATING 10 μ" THICKNESS MIN. OVERALL.  
SHELL: NICKEL PLATING 50 μ" THICKNESS MIN. OVERALL.
  - PRODUCT SPECIFICATION REFER TO : PS-7393
  - THIS PRODUCT DOESN'T CONTAIN ENVIRONMENTAL HAZARDOUS PER DIRECTIVE 2011/65/EU FOR RoHS COMPLIANT.



PART NO. G45CA19X102HHR

- CONTACT FINISH
- 0: GOLD FLASH
  - 1: 15u" GOLD
  - 2: 30u" GOLD

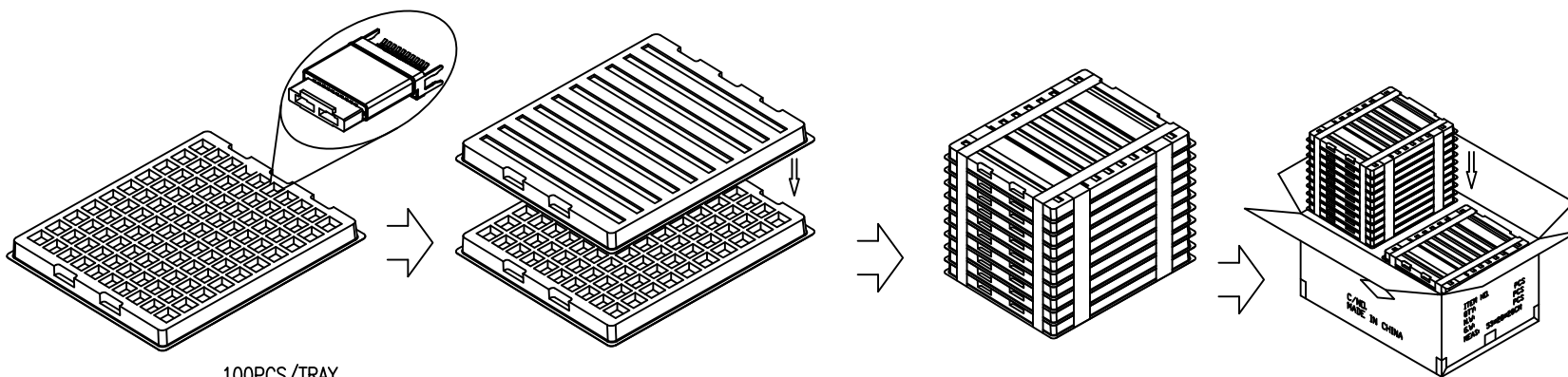
TOLERANCE	APPROVALS	DATE	TITLE		Amphenol®	
X. ±0.30	DRAWN Debby Hung	05/03/2017	HDMI PLUG A TYPE		Amphenol Corporation Amphenol Taiwan Corporation	
X.X ±0.20	CHECKED Roger Tsai	05/03/2017	STRAIGHT, FOR CABLE TYPE			
X.XX ±0.10	APPROVED Arron Lin	05/03/2017	STRADDLE W/O PCB		PART No. G45CA19X102HHR	
ANGULAR ±1°	DWG TYPE CUST DWG	PROJECT CODE OTHER	UNIT mm	SIZE A3	DWG No. G45CA19X102HHR	
UNLESS OTHERWISE SPECIFIED			SCALE NA	SHEET 1 OF 2	REV. AX4	

This document is the property of Amphenol Corporation and is delivered on the express condition that is not to be disclosed, reproduced or used, in whole or in part, for manufacture or sale by anyone other than Amphenol Corporation without its prior consent, and that no right is granted to disclose or to use any information in this document.

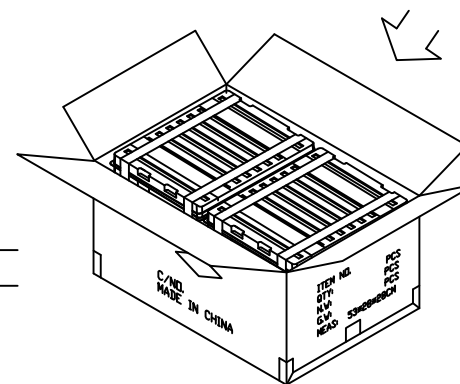
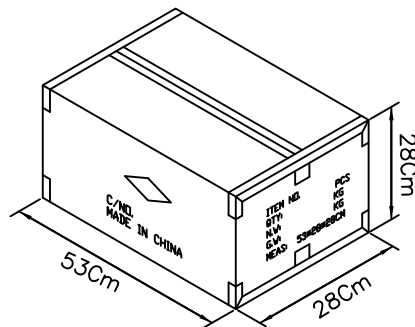
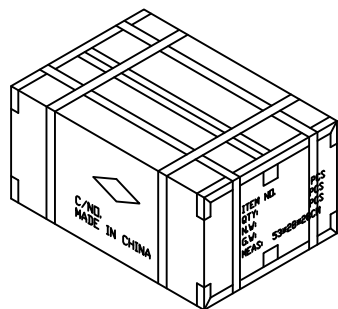
The marking on this product doesn't contain environmental hazardous materials per Material Specification 55-00259 for Sony GP compliant or per directive 2011/65/EU for RoHS compliant.

# FOR REFERENCE ONLY

REVISIONS				
SYM	ECN No.	DESCRIPTION	DATE	APPROVED
AX1	EDSR#5951	NON-RELEASE REVISION	12/21/2016	Arron Lin
AX2	EDSR#7022	UPDATE DRAWING TO STRADDEL PCB T=1.0	01/16/2017	Arron Lin
AX3		UPDATE DRAWING	02/07/2017	Arron Lin
AX4		ADD PACKING	05/03/2017	Arron Lin



100PCS/TRAY



PACKAGING BY TRAY	14.12	10.27	100	48	4800	G45CA19X102HHR
	G/W KG	N/W KG	PCS/TRAY	TRAYS/BOX	QUANTITY (PCS)	PART NUMBER

TOLERANCE		APPROVALS		DATE	TITLE		Amphenol®			
X.		DRAWN	Debby Hung	05/03/2017	HDMI PLUG A TYPE		Amphenol Corporation			
X.X	±0.30	CHECKED	Roger Tsai	05/03/2017	STRAIGHT, FOR CABLE TYPE		Amphenol Taiwan Corporation			
X.XX	±0.20	APPROVED	Arron Lin	05/03/2017	STRADDLE W/O PCB		PART No.	G45CA19X102HHR		
X.XXX	±0.10	DWG TYPE	CUST DWG	PROJECT CODE	OTHER	UNIT	mm	SIZE	A3	
ANGULAR	±1°					SCALE	NA	SHEET	2 OF 2	
UNLESS OTHERWISE SPECIFIED						DWG No.		G45CA19X102HHR	REV.	AX4