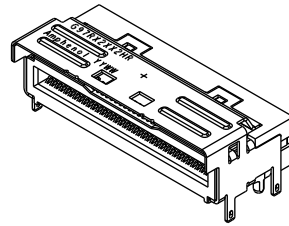
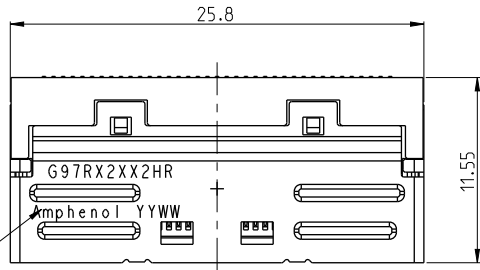


This document is the property of Amphenol Corporation and is delivered on the express condition that it is not to be disclosed, reproduced or used, in whole or in part, for manufacture or sale by anyone other than Amphenol Corporation without its prior consent, and that no right is granted to disclose or to use any information in this document.

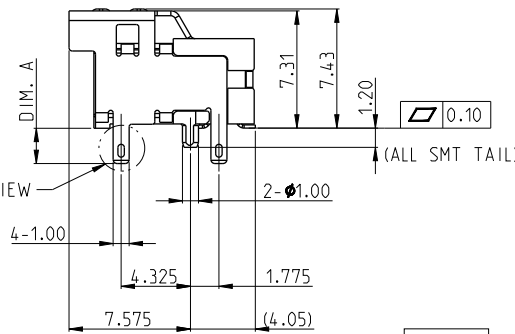
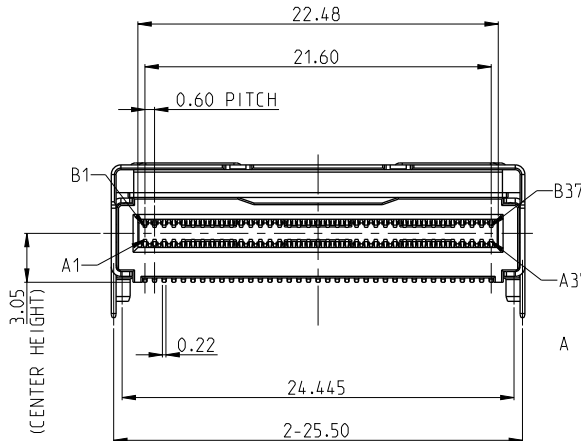
The marking on this product doesn't contain environmental hazardous materials per directive 2011/65/EU & 2015/863/EU for RoHS compliant & per IEC 61249-2-21 for Halogen-Free compliant.



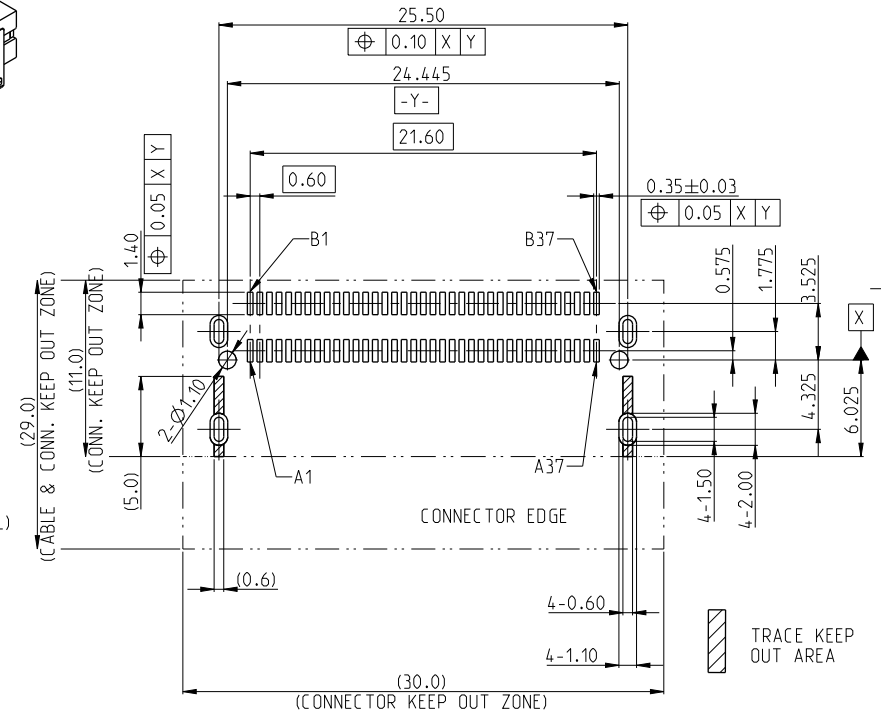
REVISIONS				
SYM	ECN No.	DESCRIPTION	DATE	BY
AX13	NA	MODIFIED STAND-OFF AND PCB KEEP OUT ZONE	2020-08-31	Sondra Sang
AX14	NA	ADDED SHELL MATTE TIN OPTIONS AND ADDED DETAIL "A" ON 74POS., MODIFIED 84PIN	2021-02-02	Sondra Sang
AX15	NA	ADDED PNS PACKING & MODIFIED 124PIN SHELL RIB	2021-07-01	Sondra Sang
AX16	NA	MODIFIED SHELL PLATING OPTIONS IN PNS & ADDED PLUG MATING STYLE (PAGE 7)	2021-11-05	Sondra Sang



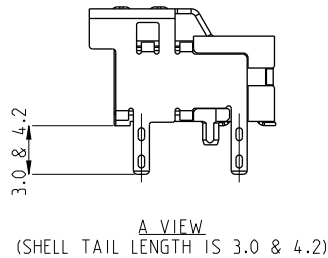
PRINTED P/N & DATE CODE



74 PIN



RECOMMENDED PCB LAYOUT (TOP VIEW)
(GENERAL TOLERANCES: ±0.05)



TOLERANCE	DRAWN	APPROVALS	DATE	TITLE	UNIT	SIZE	PART No.
X.X ±0.30	DESIGNED	Sondra Sang	2021-11-05	MINI COOL EDGE IO INTEGRATED CONNECTOR 0.6 PITCH, 85 OHM RIGHT ANGLE FOR PCIE TYPE	mm	A3	G97RXXXXXXHR
X.XX ±0.20	CHECKED	Joan Lu	2022-01-19				
X.XXX ±0.10	APPROVED	Hank Hsu	2022-01-19				
ANGULAR ±2°	DWG TYPE	CUST DWG	PROJECT CODE T687				
UNLESS OTHERWISE SPECIFIED					SCALE	SHEET	DWG No.
					NA	2 OF 8	G97RXXXXXXHR
							REV. AX16

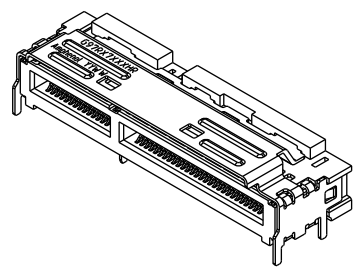
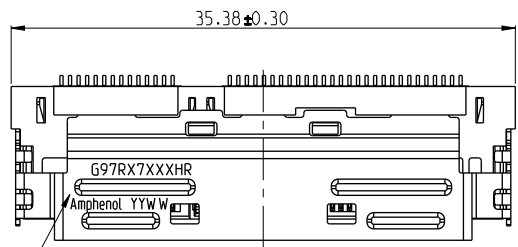
Amphenol®
Amphenol Corporation
Amphenol Taiwan Corporation

This document is the property of Amphenol Corporation and is delivered on the express condition that it is not to be disclosed, reproduced or used, in whole or in part, for manufacture or sale by anyone other than Amphenol Corporation without its prior consent, and that no right is granted to disclose or to use any information in this document.

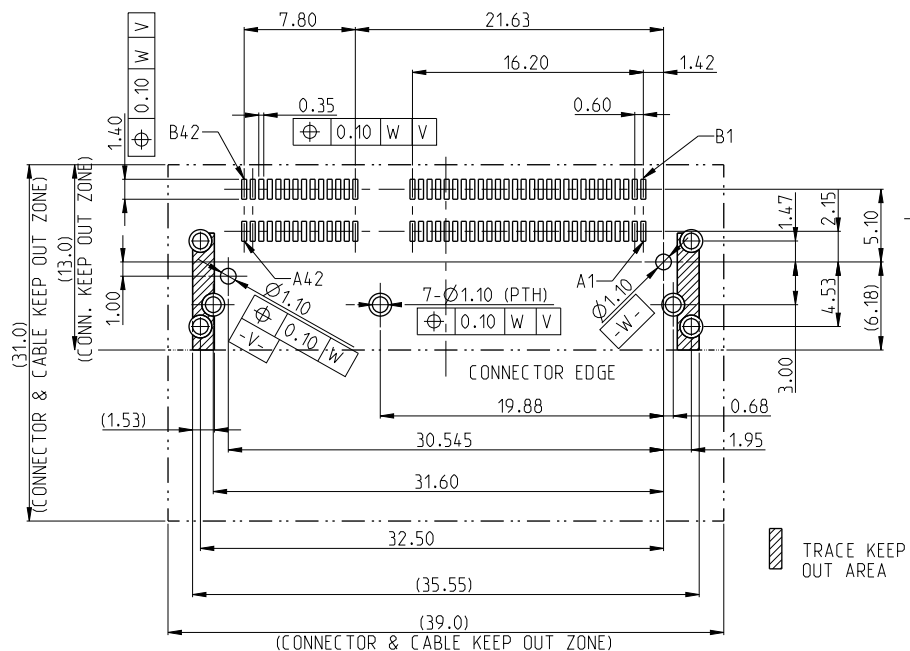
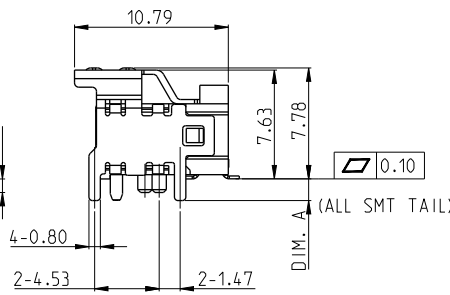
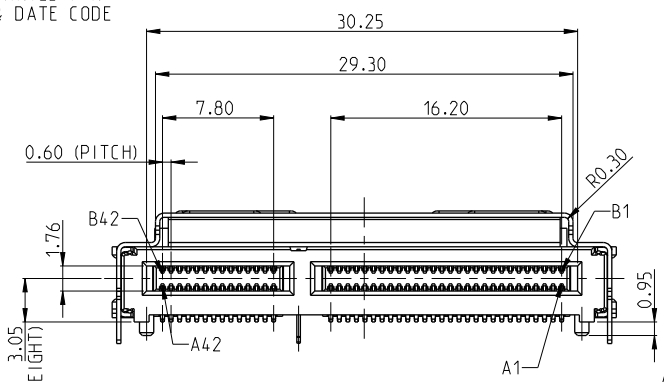
The marking on this product doesn't contain environmental hazardous materials per directive 2011/65/EU & 2015/863/EU for RoHS compliant & per IEC 61249-2-21 for Halogen-Free compliant.



REVISIONS				
SYM	ECN No.	DESCRIPTION	DATE	BY
AX13	NA	MODIFIED STAND-OFF AND PCB KEEP OUT ZONE	2020-08-31	Sondra Sang
AX14	NA	ADDED SHELL MATTE TIN OPTIONS AND ADDED DETAIL "A" ON 74POS., MODIFIED 84PIN	2021-02-02	Sondra Sang
AX15	NA	ADDED PNS PACKING & MODIFIED 124PIN SHELL RIB	2021-07-01	Sondra Sang
AX16	NA	MODIFIED SHELL PLATING OPTIONS IN PNS & ADDED PLUG MATING STYLE (PAGE 7)	2021-11-05	Sondra Sang

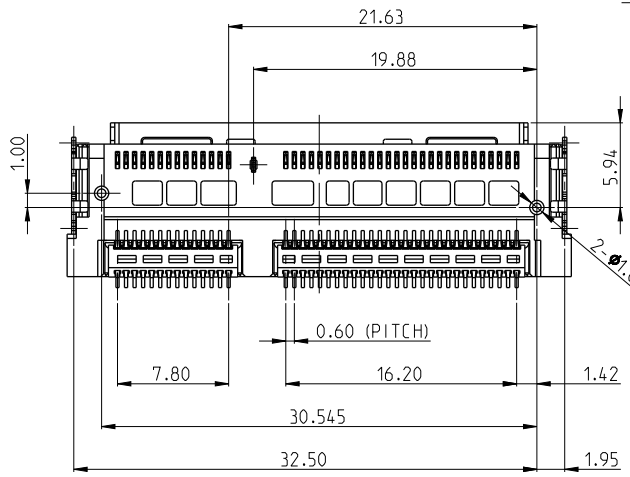


PRINTED P/N & DATE CODE



RECOMMENDED PCB LAYOUT (TOP VIEW)
(GENERAL TOLERANCES: ±0.05)

84 PIN



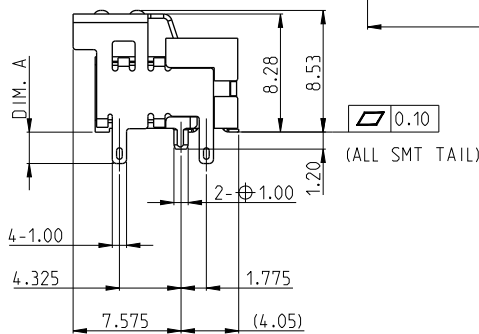
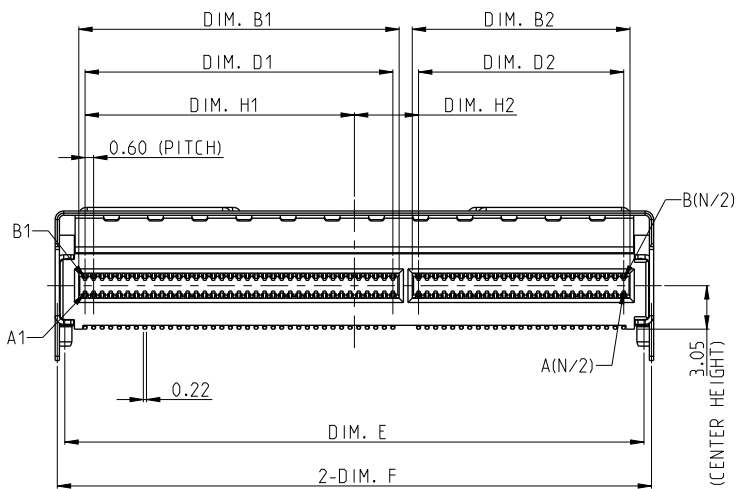
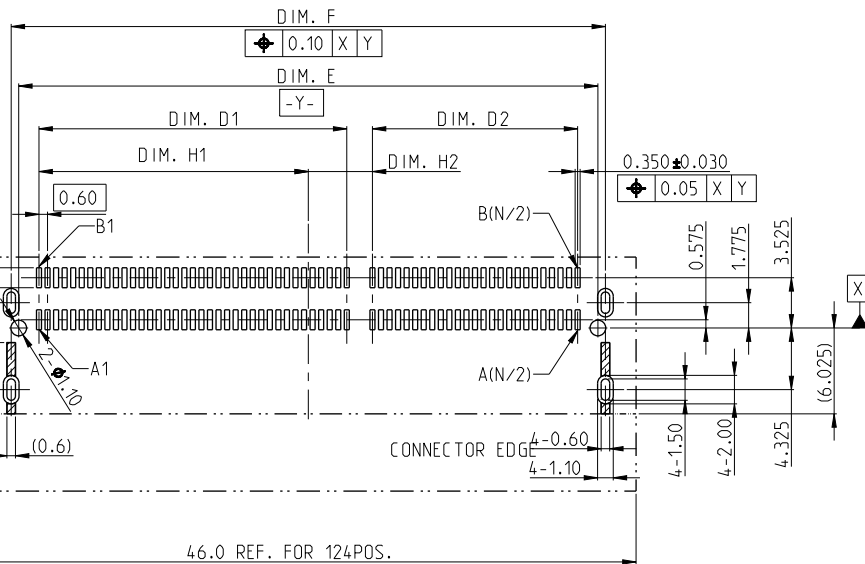
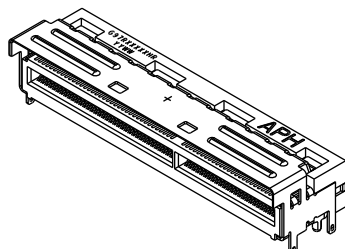
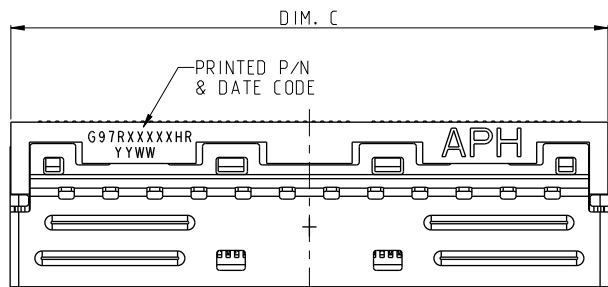
TOLERANCE	DESIGNED	DATE	TITLE	PART No. G97RXXXXXXHR			
X. ±0.30	Sondra Sang	2021-11-05	MINI COOL EDGE IO INTEGRATED CONNECTOR 0.6 PITCH, 85 OHM RIGHT ANGLE FOR PCIE TYPE	Amphenol®			
X.X ±0.20	CHECKED	2022-01-19		Amphenol Corporation			
X.XX ±0.10	Joan Lu			Amphenol Taiwan Corporation			
X.XXX ±0.10	APPROVED	2022-01-19		G97RXXXXXXHR			
ANGULAR ±2°	Hank Hsu			UNIT mm	SIZE A3	PART No. G97RXXXXXXHR	
UNLESS OTHERWISE SPECIFIED	DWG TYPE CUST DWG	PROJECT CODE T687		SCALE NA	SHEET 3 OF 8	DWG No. G97RXXXXXXHR	
						REV. AX16	

This document is the property of Amphenol Corporation and is delivered on the express condition that it is not to be disclosed, reproduced or used, in whole or in part, for manufacture or sale by anyone other than Amphenol Corporation without its prior consent, and that no right is granted to disclose or to use any information in this document.

The marking on this product doesn't contain environmental hazardous materials per directive 2011/65/EU & 2015/863/EU for RoHS compliant & per IEC 61249-2-21 for Halogen-Free compliant.



REVISIONS				
SYM	ECN No.	DESCRIPTION	DATE	BY
AX13	NA	MODIFIED STAND-OFF AND PCB KEEP OUT ZONE	2020-08-31	Sondra Sang
AX14	NA	ADDED SHELL MATTE TIN OPTIONS AND ADDED DETAIL "A" ON 74POS., MODIFIED 84PIN	2021-02-02	Sondra Sang
AX15	NA	ADDED PNS PACKING & MODIFIED 124PIN SHELL RIB	2021-07-01	Sondra Sang
AX16	NA	MODIFIED SHELL PLATING OPTIONS IN PNS & ADDED PLUG MATING STYLE (PAGE 7)	2021-11-05	Sondra Sang



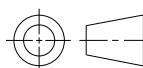
46.0 REF. FOR 124POS.
53.2 REF. FOR 148POS.
(CONNECTOR & CABLE KEEP OUT ZONE)
RECOMMENDED PCB LAYOUT (TOP VIEW)
(GENERAL TOLERANCES: ±0.05)



124 PIN & 148 PIN

PART NUMBER	POS. (N)	DIM. B1	DIM. B2	DIM. C	DIM. D1	DIM. D2	DIM. E	DIM. F	DIM. H1	DIM. H2
G97RX4XXXXHR	124	22.48	15.28	42.00	21.60	14.40	40.645	41.70	18.90	4.50
G97RX6XXXXHR	148	22.48	22.48	49.20	21.60	21.60	47.845	48.90	22.50	0.90

TOLERANCE	DRAWN	APPROVALS	DATE	TITLE	UNIT	SIZE	PART No.					
X. ±0.30	DESIGNED	Sondra Sang	2021-11-05	MINI COOL EDGE IO INTEGRATED CONNECTOR 0.6 PITCH, 85 OHM RIGHT ANGLE FOR PCIE TYPE	mm	A3	G97RXXXXXHR					
X.XX ±0.20								CHECKED	Joan Lu	2022-01-19		
X.XXX ±0.10								APPROVED	Hank Hsu	2022-01-19		
ANGULAR ±2°	DWG TYPE	CUST DWG	PROJECT CODE	T687	SCALE	NA	SHEET	4 OF 8	DWG No.	G97RXXXXXHR	REV.	AX16



Amphenol®

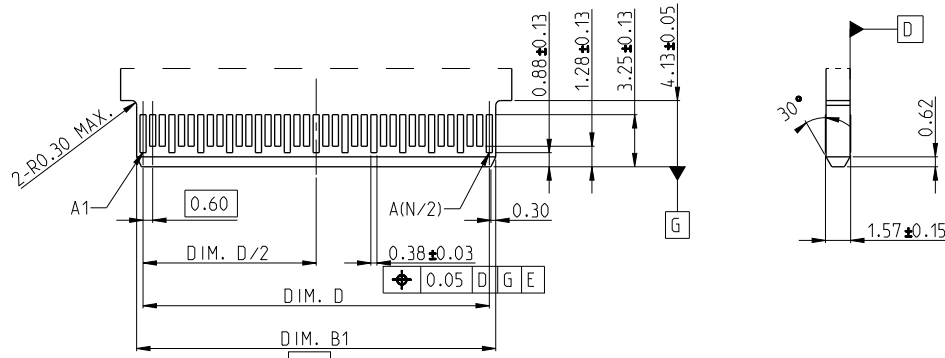
**Amphenol Corporation
Amphenol Taiwan Corporation**

This document is the property of Amphenol Corporation and is delivered on the express condition that it is not to be disclosed, reproduced or used, in whole or in part, for manufacture or sale by anyone other than Amphenol Corporation without its prior consent, and that no right is granted to disclose or to use any information in this document.

The marking on this product doesn't contain environmental hazardous materials per directive 2011/65/EU & 2015/863/EU for RoHS compliant & per IEC 61249-2-21 for Halogen-Free compliant.

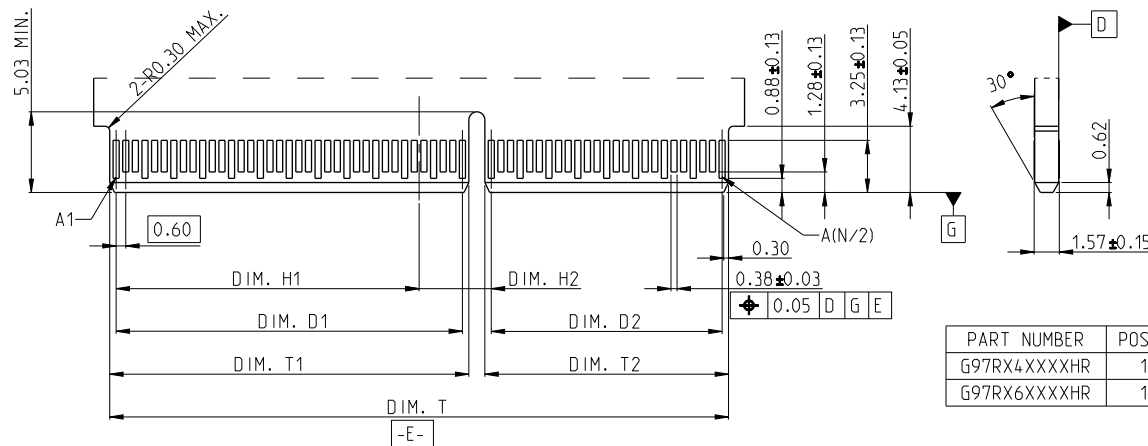


REVISIONS				
SYM	ECN No.	DESCRIPTION	DATE	BY
AX13	NA	MODIFIED STAND-OFF AND PCB KEEP OUT ZONE	2020-08-31	Sondra Sang
AX14	NA	ADDED SHELL MATTE TIN OPTIONS AND ADDED DETAIL "A" ON 74POS., MODIFIED 84PIN	2021-02-02	Sondra Sang
AX15	NA	ADDED PNS PACKING & MODIFIED 124PIN SHELL RIB	2021-07-01	Sondra Sang
AX16	NA	MODIFIED SHELL PLATING OPTIONS IN PNS & ADDED PLUG MATING STYLE (PAGE 7)	2021-11-05	Sondra Sang



RECOMMENDED MATING CARD (1-PORT)
(GENERAL TOLERANCES: ±0.05)

PART NUMBER	POS. (N)	DIM. B1	DIM. D
G97RX1XXXXHR	38	11.60	10.80
G97RX2XXXXHR	74	22.40	21.60



RECOMMENDED MATING CARD (2-PORT)
(GENERAL TOLERANCES: ±0.05)

PART NUMBER	POS. (N)	DIM. D1	DIM. D2	DIM. H1	DIM. H2	DIM. T	DIM. T1	DIM. T2
G97RX4XXXXHR	124	21.60	14.40	18.90	4.50	38.60	22.40	15.20
G97RX6XXXXHR	148	21.60	21.60	22.50	0.90	45.80	22.40	22.40

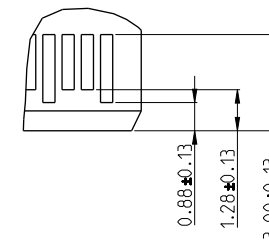
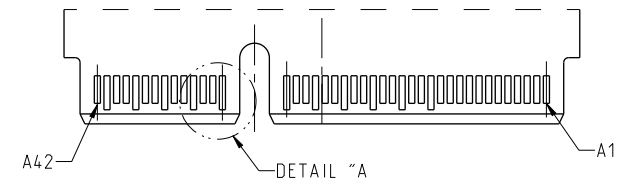
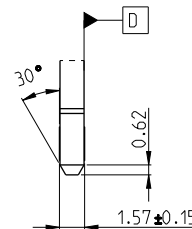
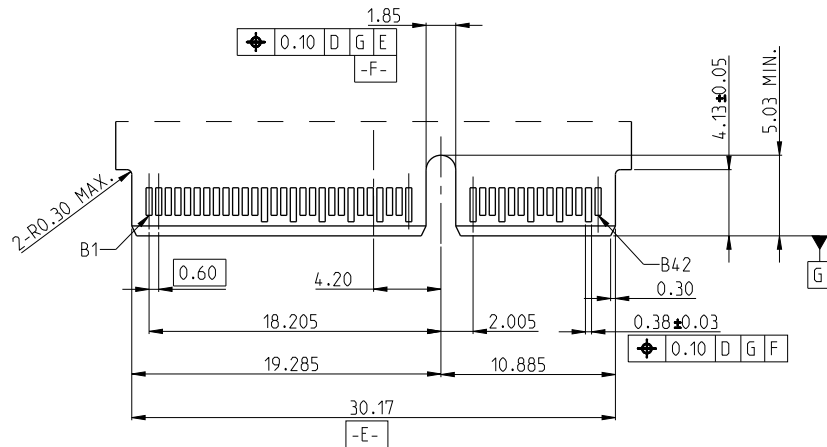
TOLERANCE	DRAWN	APPROVALS	DATE	TITLE	Amphenol® Amphenol Corporation Amphenol Taiwan Corporation								
X.X ±0.30	DESIGNED	Sondra Sang	2021-11-05	MINI COOL EDGE IO INTEGRATED CONNECTOR 0.6 PITCH, 85 OHM RIGHT ANGLE FOR PCIE TYPE	UNIT	mm	SIZE	A3					
X.XX ±0.20	CHECKED	Joan Lu	2022-01-19										
X.XXX ±0.10	APPROVED	Hank Hsu	2022-01-19		PART No.	G97RXXXXXXHR							
ANGULAR ±2°	DWG TYPE	CUST DWG		PROJECT CODE	T687	SCALE	NA	SHEET	5 OF 8	DWG No.	G97RXXXXXXHR	REV.	AX16

This document is the property of Amphenol Corporation and is delivered on the express condition that it is not to be disclosed, reproduced or used, in whole or in part, for manufacture or sale by anyone other than Amphenol Corporation without its prior consent, and that no right is granted to disclose or to use any information in this document.

The marking on this product doesn't contain environmental hazardous materials per directive 2011/65/EU & 2015/863/EU for RoHS compliant & per IEC 61249-2-21 for Halogen-Free compliant.



REVISIONS				
SYM	ECN No.	DESCRIPTION	DATE	BY
AX13	NA	MODIFIED STAND-OFF AND PCB KEEP OUT ZONE	2020-08-31	Sondra Sang
AX14	NA	ADDED SHELL MATTE TIN OPTIONS AND ADDED DETAIL "A" ON 74POS., MODIFIED 84PIN	2021-02-02	Sondra Sang
AX15	NA	ADDED PNS PACKING & MODIFIED 124PIN SHELL RIB	2021-07-01	Sondra Sang
AX16	NA	MODIFIED SHELL PLATING OPTIONS IN PNS & ADDED PLUG MATING STYLE (PAGE 7)	2021-11-05	Sondra Sang



DETAIL "A"

RECOMMENDED MATING CARD (2-PORT FOR 84POS.)
(GENERAL TOLERANCES: ±0.05)

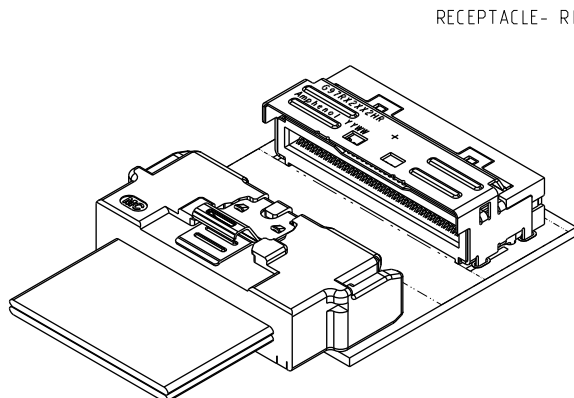
TOLERANCE	DRAWN APPROVALS	DATE	TITLE	Amphenol® Amphenol Corporation Amphenol Taiwan Corporation		
X. ±0.30	DESIGNED Sondra Sang	2021-11-05	MINI COOL EDGE IO INTEGRATED CONNECTOR 0.6 PITCH, 85 OHM RIGHT ANGLE FOR PCIE TYPE	UNIT mm	SIZE A3	PART No. G97RXXXXXXHR
X.XX ±0.20	CHECKED Joan Lu	2022-01-19				
X.XXX ±0.10	APPROVED Hank Hsu	2022-01-19				
ANGULAR ±2°	DWG TYPE CUST DWG	PROJECT CODE T687				
UNLESS OTHERWISE SPECIFIED			SCALE NA	SHEET 6 OF 8	DWG No. G97RXXXXXXHR	REV. AX16

This document is the property of Amphenol Corporation and is delivered on the express condition that it is not to be disclosed, reproduced or used, in whole or in part, for manufacture or sale by anyone other than Amphenol Corporation without its prior consent, and that no right is granted to disclose or to use any information in this document.

The marking on this product doesn't contain environmental hazardous materials per directive 2011/65/EU & 2015/863/EU for RoHS compliant & per IEC 61249-2-21 for Halogen-Free compliant.

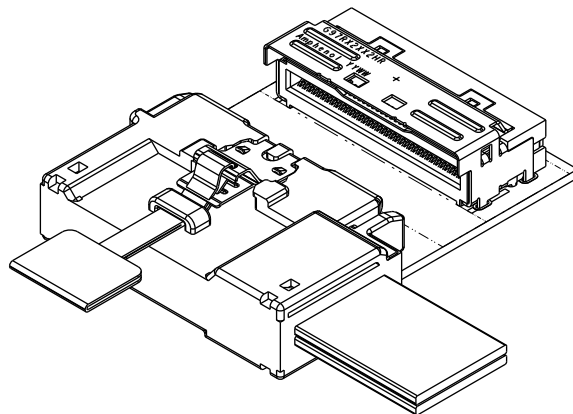


REVISIONS				
SYM	ECN No.	DESCRIPTION	DATE	BY
AX13	NA	MODIFIED STAND-OFF AND PCB KEEP OUT ZONE	2020-08-31	Sondra Sang
AX14	NA	ADDED SHELL MATTE TIN OPTIONS AND ADDED DETAIL "A" ON 74POS., MODIFIED 84PIN	2021-02-02	Sondra Sang
AX15	NA	ADDED PNS PACKING & MODIFIED 124PIN SHELL RIB	2021-07-01	Sondra Sang
AX16	NA	MODIFIED SHELL PLATING OPTIONS IN PNS & ADDED PLUG MATING STYLE (PAGE 7)	2021-11-05	Sondra Sang



RECEPTACLE- RIGHT ANGLE TYPE

PLUG- STRAIGHT TYPE



RECEPTACLE- RIGHT ANGLE TYPE

PLUG- SIDE ENTRY TYPE

RECOMMENDED MATING STYLE

TOLERANCE	DESIGNED	APPROVALS	DATE	TITLE	Amphenol® Amphenol Corporation Amphenol Taiwan Corporation			
	X. ±0.30	Sondra Sang	2021-11-05					
X.XX ±0.20	CHECKED	Joan Lu	2022-01-19		UNIT	SIZE	PART No.	
X.XXX ±0.10	APPROVED	Hank Hsu	2022-01-19		mm	A3	G97RXXXXXXHR	
ANGULAR ±2°	DWG TYPE	CUST DWG	PROJECT CODE	SCALE	SHEET	DWG No.	REV.	
UNLESS OTHERWISE SPECIFIED			T687	NA	7 OF 8	G97RXXXXXXHR	AX16	

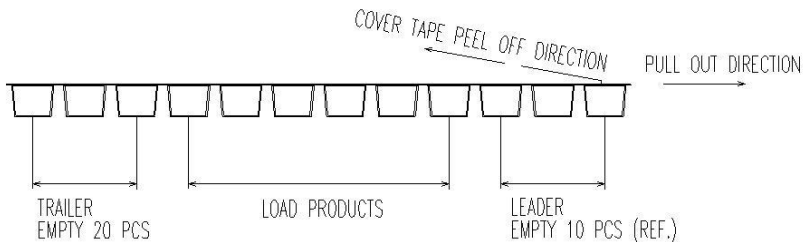
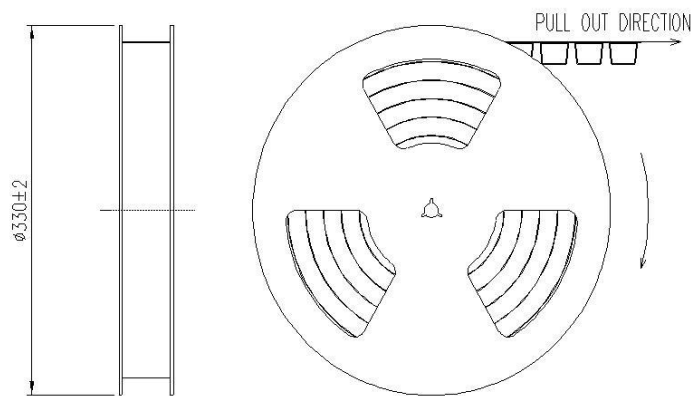
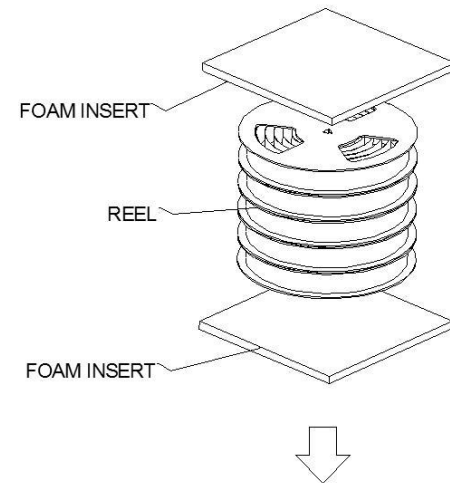
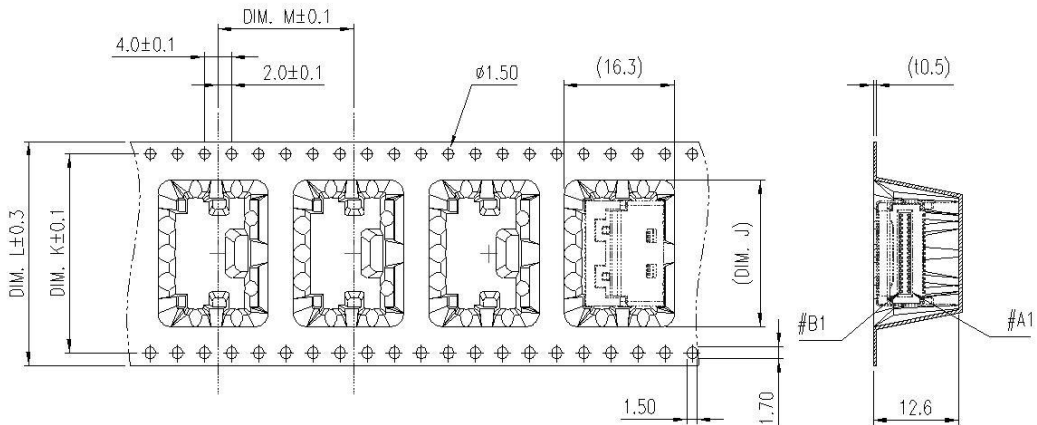
This document is the property of Amphenol Corporation and is delivered on the express condition that it is not to be disclosed, reproduced or used, in whole or in part, for manufacture or sale by anyone other than Amphenol Corporation without its prior consent, and that no right is granted to disclose or to use any information in this document.

The marking on this product doesn't contain environmental hazardous materials per directive 2011/65/EU & 2015/863/EU for RoHS compliant & per IEC 61249-2-21 for Halogen-Free compliant.

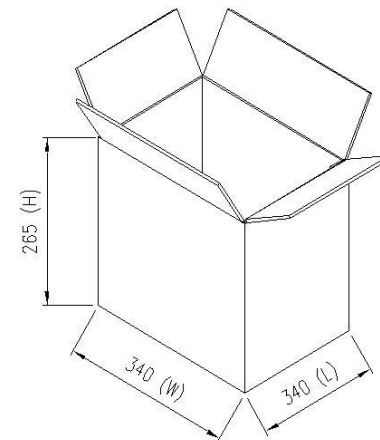


REVISIONS				
SYM	ECN No.	DESCRIPTION	DATE	BY
AX13	NA	MODIFIED STAND-OFF AND PCB KEEP OUT ZONE	2020-08-31	Sondra Sang
AX14	NA	ADDED SHELL MATTE TIN OPTIONS AND ADDED DETAIL "A" ON 74POS., MODIFIED 84PIN	2021-02-02	Sondra Sang
AX15	NA	ADDED PNS PACKING & MODIFIED 124PIN SHELL RIB	2021-07-01	Sondra Sang
AX16	NA	MODIFIED SHELL PLATING OPTIONS IN PNS & ADDED PLUG MATING STYLE (PAGE 7)	2021-11-05	Sondra Sang

PART NUMBER	POS. (N)	DIM. J	DIM. K	DIM. L	DIM. M	REEL (PCS)	CARTON (PCS)
G97RX1XXXXHR	38	(20.9)	28.40	32.00	20.00	225	1350
G97RX2XXXXHR	74	(32.5)	40.40	44.00	20.00	250	1250
G97RX7XXXXHR	84	(42.6)	52.40	56.00	24.00	180	540
G97RX4XXXXHR	124	(39.5)	68.40	72.00	20.00	220	660
G97RX6XXXXHR	148	(49.4)	68.40	72.00	20.00	220	660



NOTE 2:
 1. CARTON SIZE
 340L X 340W X 265H
 2. PREFER TO AMTA LABELING STANDARD.
 3. CARTON CLOSURES MUST BE SEALED WITH TAPE.



NOTE :
 1. MATERIAL:
 CARRIER TAPE: POLYSTYRENE, BLACK
 COVER TAPE: TRANSPARENT POLYSTYRENE
 REEL: POLYSTYRENE, BLACK
 2. ALL TAPE AND REEL SPECIFICATION FOLLOW EIA-481 STANDARD.
 3. THIS PRODUCT DOESN'T CONTAIN ENVIRONMENTAL HAZARDOUS DIRECTIVE 2011/65/EU AND 2015/863/EU FOR ROHS AND PER IEC 61249-2-21 FOR HALOGEN FREE COMPLIANT.

TOLERANCE	DRAWN APPROVALS	DATE	TITLE	Amphenol® Amphenol Corporation Amphenol Taiwan Corporation			
X. X.X ±0.30 X.XX ±0.20 X.XXX ±0.10	DESIGNED Sondra Sang	2021-11-05	MINI COOL EDGE IO INTEGRATED CONNECTOR 0.6 PITCH, 85 OHM RIGHT ANGLE FOR PCIE TYPE	UNIT mm		SIZE A3	PART No. G97RXXXXXXHR
ANGULAR ±2°	CHECKED Joan Lu	2022-01-19		SCALE NA		SHEET 8 OF 8	DWG No. G97RXXXXXXHR
UNLESS OTHERWISE SPECIFIED	APPROVED Hank Hsu	2022-01-19		DWG TYPE CUST DWG		PROJECT CODE T687	REV. AX16