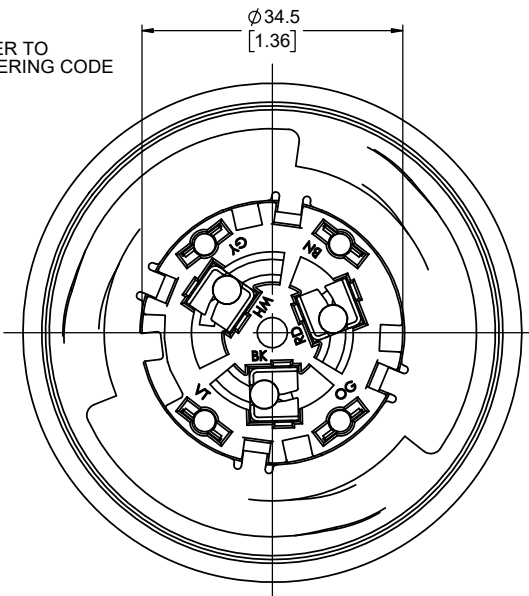
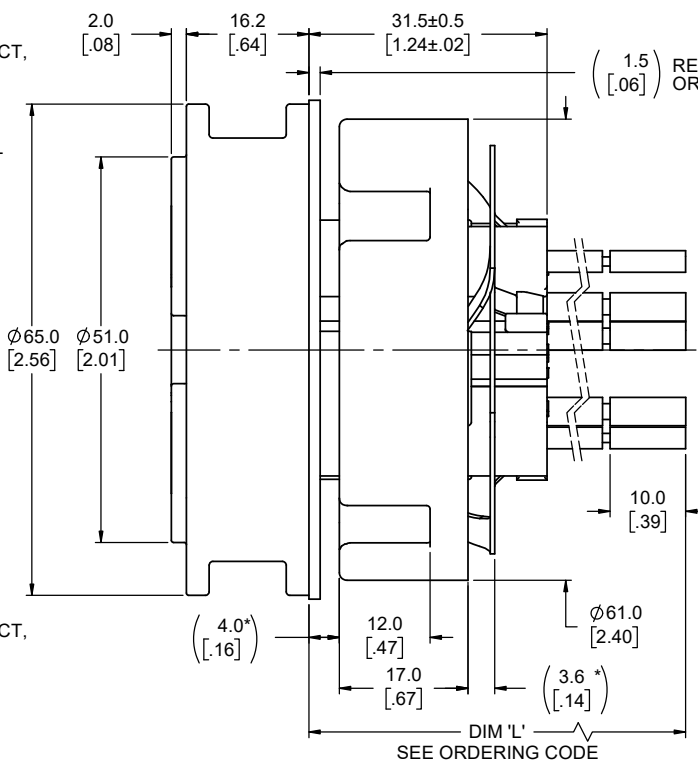
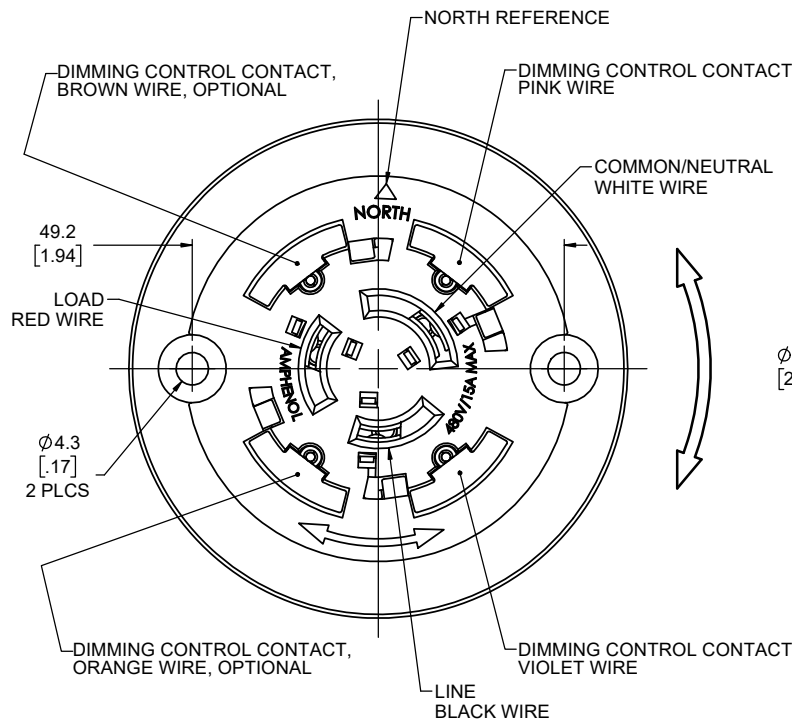
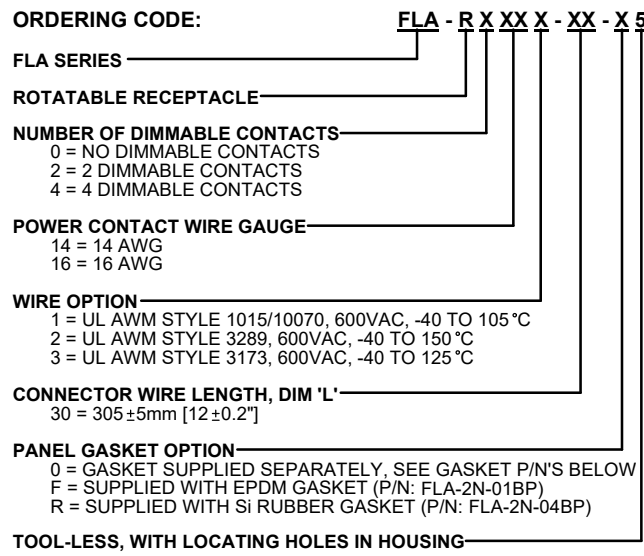


P/N FLA-R4141-30-F5 SHOWN ON THIS SHEET
 PROTECTIVE CAP NOT SHOWN FOR CLARITY

REVISIONS			
REV	DESCRIPTION, ECN, EAR NO.	DATE	APP'D
E	REVISION PER EAR 14915	FEB01/21	A.G.
F	PRODUCT DWG - REV PER EAR 15012	SEP09/21	M.P.



*DIMENSIONS VARY
 BASED ON PANEL
 THICKNESS (2 PLCS)



CONSULT WITH AMPHENOL CANADA FOR OTHER OPTIONS NOT LISTED OR SPECIAL REQUESTS.

NOTES:

- MATERIALS:** ALL MATERIALS ARE ROHS COMPLIANT PER EU DIRECTIVE 2011/65/EU & AMENDMENTS.
 - HOUSING: ENGINEERING THERMOPLASTIC, UL FLAMMABILITY RATING 94V-0, COLOUR BLACK
 - POWER CONTACT: COPPER ALLOY, PLATED WITH TIN OVER NICKEL
 - DIMMABLE CONTACT: COPPER ALLOY, PLATED WITH 0.76 µm (30 µ") GOLD OVER 1.27 µm (50µ") NICKEL, DRY LUBRICANT APPLIED TO CONTACT SURFACE AFTER PLATING
 - POWER CONTACT WIRE: COPPER WITH PVC INSULATION, 14 OR 16 AWG
 - DIMMABLE CONTACT WIRE: COPPER WITH PVC INSULATION, 18 AWG
 - PROTECTIVE CAP: P.E.T. POLYESTER TRANSPARENT ANTI-STATIC
 - GASKET: EPDM OR SILICONE RUBBER, WHEN APPLICABLE
- ELECTRICAL CHARACTERISTICS:**
 - POWER CONTACTS:
 - CURRENT RATING: 15 A MAX
 - VOLTAGE RATING: 480 VAC/DC
 - DIMMING CONTACTS:
 - CURRENT RATING: 1.5 A MAX
 - VOLTAGE RATING: 30 VAC/DC
- SPECIFICATIONS:**
 - ANSI C136-41-2017
 - ANSI C136-10-2010
 - UL 773



UNLESS SPECIFIED OTHERWISE	DRAWN	S.MUGAN	MAY19/20
PRIMARY UNITS MILLIMETRES	CHECKED	A.GREEN	MAY19/20
SECONDARY INCHES	M.E.	APP'D	
REFERENCE IN PARENTHESES	Q.A.	APP'D	
GENERAL TOLERANCES	DWG APPR.		
1 DECIMAL PLACE ±0.3	ENG. REL. NO.		
2 DECIMAL PLACES	REF.		
3 DECIMAL PLACES	THIRD ANGLE PROJECTION		
ANGULAR DEGREES	DO NOT SCALE DRAWING		

Amphenol Canada Corp.
 Commercial Products

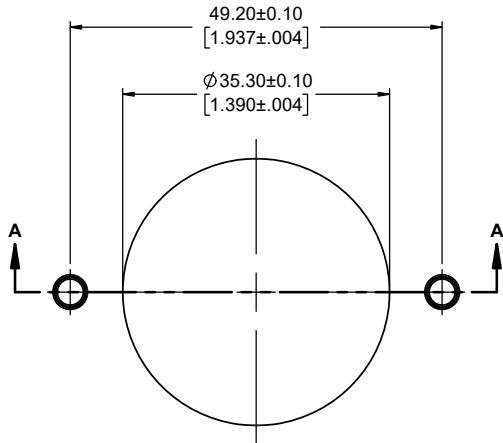
FLA SERIES, NEMA / ANSI C136.41, DIMMING CONTROL RECEPTACLE, ROTATABLE, TOOL-LESS, WITH LOCATING HOLES, RoHS COMPLIANT

DWG. NO. **P-FLA-RXXXX-XX-X5** REV **F**

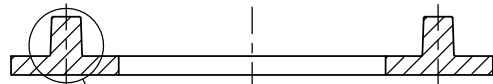
CODE ID NO. 03554 DWG SIZE: X SCALE: 2:1 SHEET 1 OF 2

P/N FLA-R4141-30-F5 SHOWN ON THIS SHEET

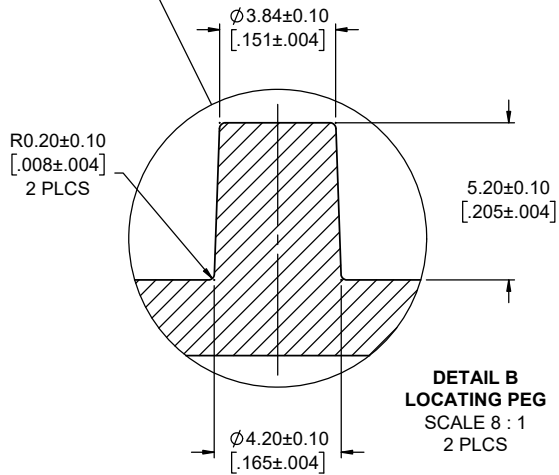
REVISIONS			
REV	DESCRIPTION, ECN, EAR NO.	DATE	APP'D
E	REVISION PER EAR 14915	FEB01/21	A.G.
F	PRODUCT DWG - REV PER EAR 15012	SEP09/21	M.P.



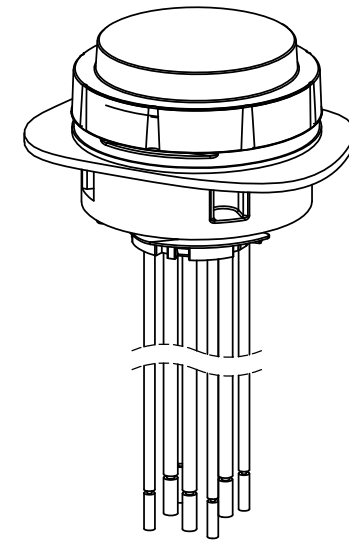
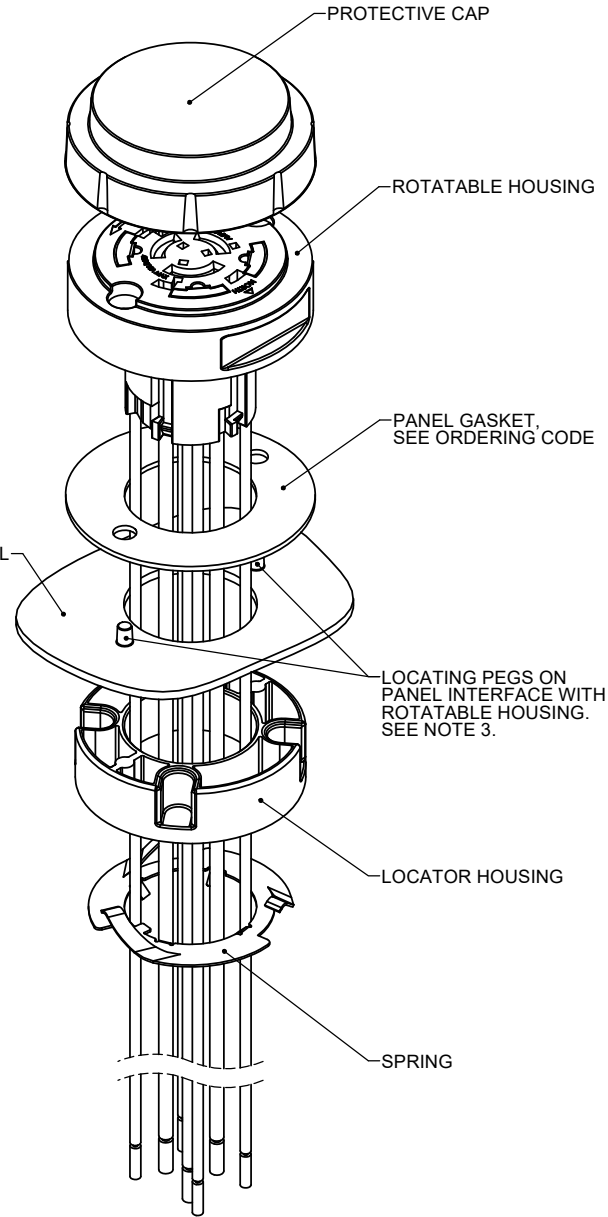
RECOMMENDED PANEL CUTOUT
OUTSIDE VIEW OF PANEL



SECTION A-A



DETAIL B
LOCATING PEG
SCALE 8 : 1
2 PLCS



ROTATING INSTRUCTIONS:

1. LIFT THE ROTATABLE HOUSING UPWARDS, AWAY FROM THE LUMINAIRE.
2. ROTATE THE HOUSING TO THE DESIRED POSITION.
3. RELEASE THE HOUSING ONCE THE DESIRED POSITION HAS BEEN ACHIEVED. ENSURE THAT THE HOUSING IS SEATED PROPERLY WITH THE LOCATING PEGS OF THE LUMINAIRE PROPERLY ENGAGED.



UNLESS SPECIFIED OTHERWISE	DRAWN	S.MUGAN	MAY19/20
PRIMARY UNITS	CHECKED	A.GREEN	MAY19/20
SECONDARY	M.E. APP'D		
REFERENCE IN PARENTHESES	Q.A. APP'D		
GENERAL TOLERANCES	DWG APPR.		
1 DECIMAL PLACE	ENG. REL. NO.		
2 DECIMAL PLACES	REF.		
3 DECIMAL PLACES	THIRD ANGLE PROJECTION		
ANGULAR DEGREES	DO NOT SCALE DRAWING		

Amphenol Canada Corp.
Commercial Products

FLA SERIES, NEMA / ANSI C136.41,
DIMMING CONTROL RECEPTACLE,
ROTATABLE, TOOL-LESS, WITH
LOCATING HOLES, RoHS COMPLIANT

DWG. NO.	REV
P-FLA-RXXXX-XX-X5	F
CODE ID NO. 03554	DWG SIZE: X
SCALE: 2:1	SHEET 2 OF 2