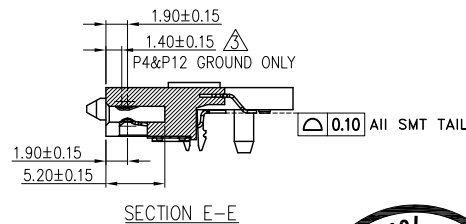
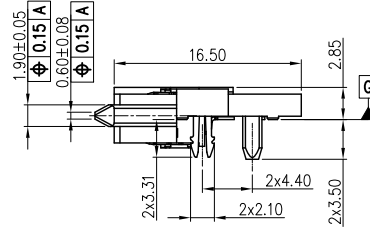
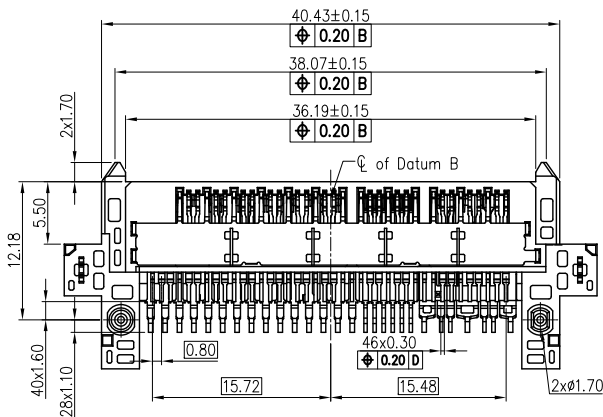
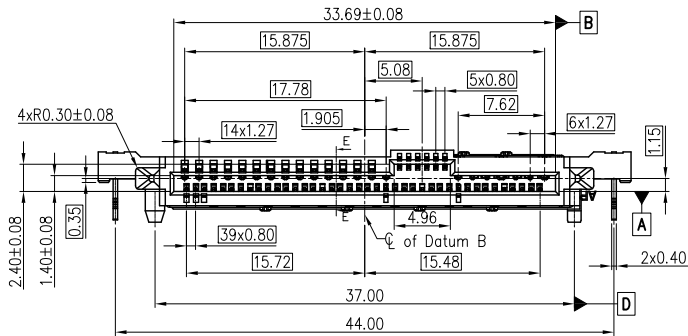
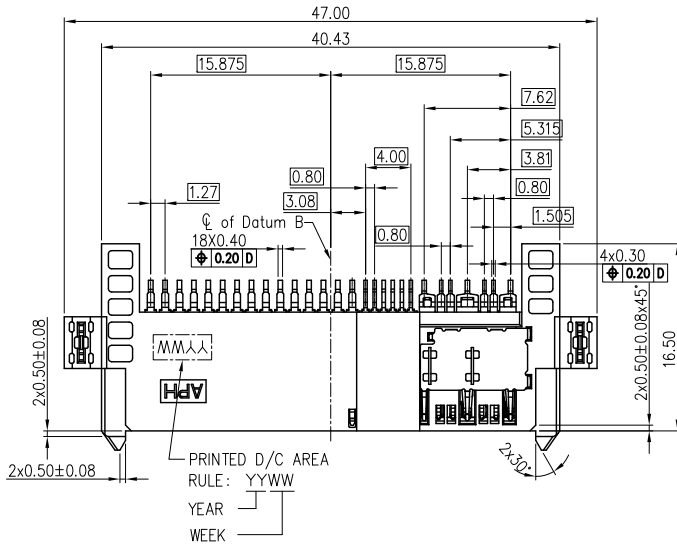


This document is the property of Amphenol Corporation and is delivered on the express condition that it is not to be disclosed, reproduced or used, in whole or in part, for manufacture or sale by anyone other than Amphenol Corporation without its prior consent, & that no right is granted to disclose or to use any information in this document.

CUSTOMER DRAWING

REVISIONS

SYM	ECN	DESCRIPTION	DATE	APPROVED
1	N/A	FIRST RELEASE	11/19/19	IP
2	N/A	UPDATED DESIGN	10/30/20	IP
3	N/A	UPDATED DESIGN; ADD PACKING SPEC	01/07/21	IP



HF(无卤)	√
Non-HF(有卤)	



NOTES

- MATERIAL
 - HOUSING: HIGH TEMPERATURE THERMOPLASTIC, UL94V-0, COLOR: BLACK.
 - CONTACTS : PHOSPHOR BRONZE
PLATING: REFER TO P/N SYSTEM ON MATING AREA.
1.27um MIN NICKEL UNDER PLATED OVERALL.
2.54um MIN PURE MATTE TIN ON SOLDER TAILS.
 - SOLDER CLIPS: COPPER ALLOY
2.54um MIN PURE MATTE TIN OVER 1.27um MIN NICKEL.
- GENERAL SPECIFICATION
 - CURRENT RATING: 1.5A/PER PIN (POWER SECTION).
 - CONTACT RESISTANCE: 30mΩ MAX (INITIAL).
 - INSULATOR RESISTANCE: 1000MΩ MIN.
 - DIELECTRIC WITHSTANDING VOLTAGE: 500 VAC
 - OPERATION TEMPERATURE: -55°C~+105°C

MATING AREA PLATING	PACKING STYLE
1- 0.76um MIN Au.	NIL- TRAY WITHOUT PICK-UP CAP
2- 0.38um MIN Au.	C- TRAY WITH PICK-UP CAP
3- Gold FLASH	TR- TAPE AND REEL WITH PICK-UP CAP
	NT- TAPE AND REEL WITHOUT PICK-UP CAP

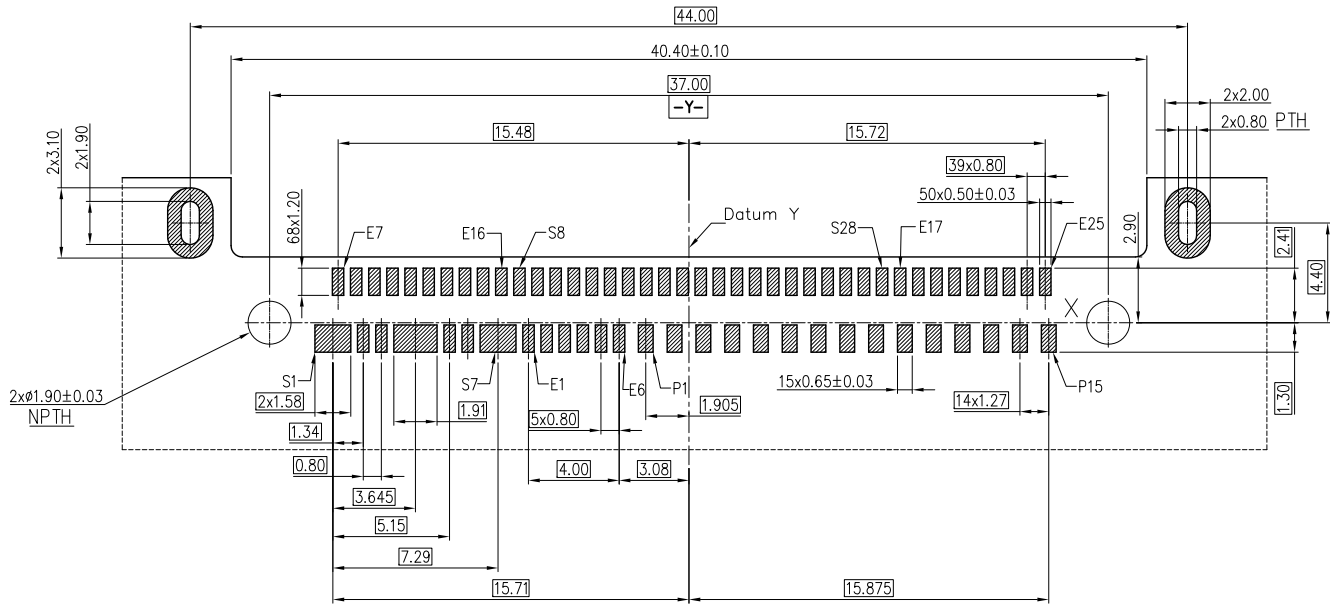
UNLESS OTHERWISE SPECIFIED TOLERANCES		APPROVAL		DATE	Amphenol
U.S.	METRIC	DRAWN	DATE	Jackie.Tan	
.X	+/-	0.50	01/07/21		Amphenol East Asia Limited
.XX	+/-	0.25			
.XXX	+/-	0.20			
FRACTIONS +/-		3"	DRAWING FILE :		TITLE
ANGLES +/-			DRAWING\PSAS\PSASF213002XXX-3		PCle/SAS R/A SMT RECEPTACLE H=0.35
REMOVE SHARP EDGES		ANGLE OF PROJECTION		SIZE	
DIMENSIONS		FIRST ANGLE		DRAWING NO.	
U.S.	INCHES	DRAWING		PSAS5F213002XXX	
(METRIC)	(MM)	SCALE		REV.	
		NONE		3	
		SHEET		1 OF 3	

This document is the property of Amphenol Corporation and is delivered on the express condition that it is not to be disclosed, reproduced or used, in whole or in part, for manufacture or sale by anyone other than Amphenol Corporation without its prior consent, & that no right is granted to disclose or to use any information in this document.

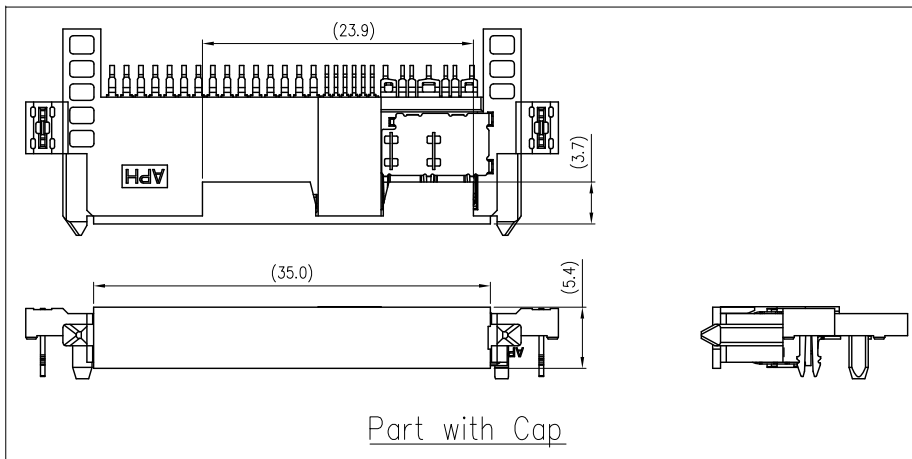
CUSTOMER DRAWING

REVISIONS

SYM	ECN	DESCRIPTION	DATE	APPROVED
REFER TO SHEET 1				



RECOMMENDED PCB LAYOUT(Top View)
GENERAL TOLERANCE ±0.05(PCB THICKNESS: 3.0mm)



HF(无卤)	√
Non-HF(有卤)	



UNLESS OTHERWISE SPECIFIED TOLERANCES		APPROVAL		DATE
.X	+/-	U.S.	METRIC	01/07/21
.XX	+/-	0.50	0.25	01/07/21
.XXX	+/-	0.25	0.20	
FRACTIONS	+/-			
ANGLES	+/-	3°		
FOR MATERIALS AND FINISHES SEE NOTES		REMOVE SHARP EDGES		ANGLE OF PROJECTION
DIMENSIONS		DRAWING FILE :		SIZE
U.S.	INCHES	DRAWING\PSAS\PSAS5F213002XXX-3		A3
(METRIC)	(MM)	DRAWING\PSAS\PSAS5F213002XXX-3		DRAWING NO.
		TITLE		REV.
		PCle/SAS R/A SMT RECEPTACLE H=0.35		3
		SCALE	NONE	SHEET 2 OF 3

Amphenol
Amphenol East Asia Limited

TITLE
PCle/SAS R/A SMT RECEPTACLE H=0.35

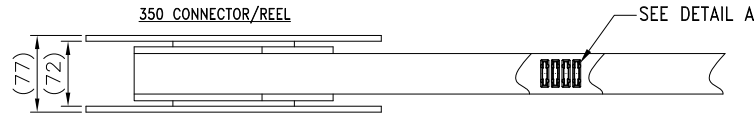
SIZE
A3
DRAWING NO.
PSAS5F213002XXX
REV.
3
SCALE
NONE
SHEET 2 OF 3

This document is the property of Amphenol Corporation and is delivered on the express condition that it is not to be disclosed, reproduced or used, in whole or in part, for manufacture or sale by anyone other than Amphenol Corporation without its prior consent, & that no right is granted to disclose or to use any information in this document.

CUSTOMER DRAWING

REVISIONS				
SYM	ECN	DESCRIPTION	DATE	APPROVED
REFER TO SHEET 1				

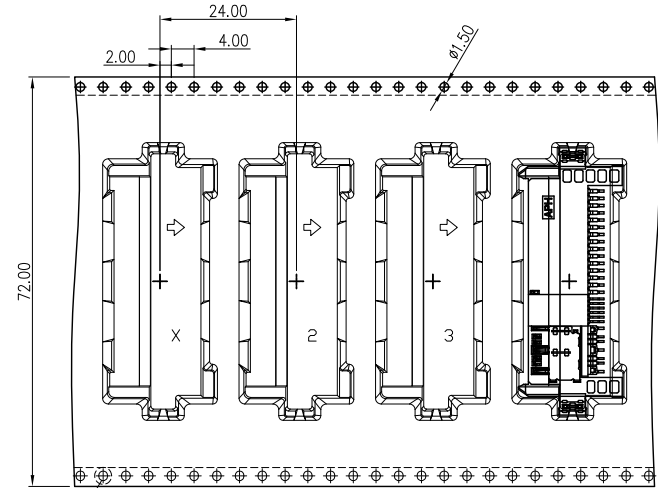
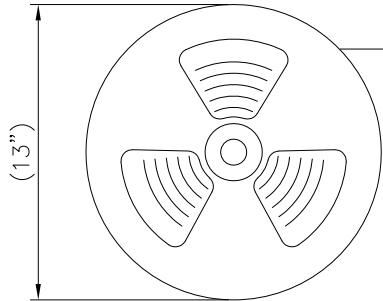
D



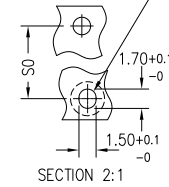
USER'S FEEDING DIRECTION

PACKING DIRECTION

CUSTOMER'S FEEDING DIRECTION

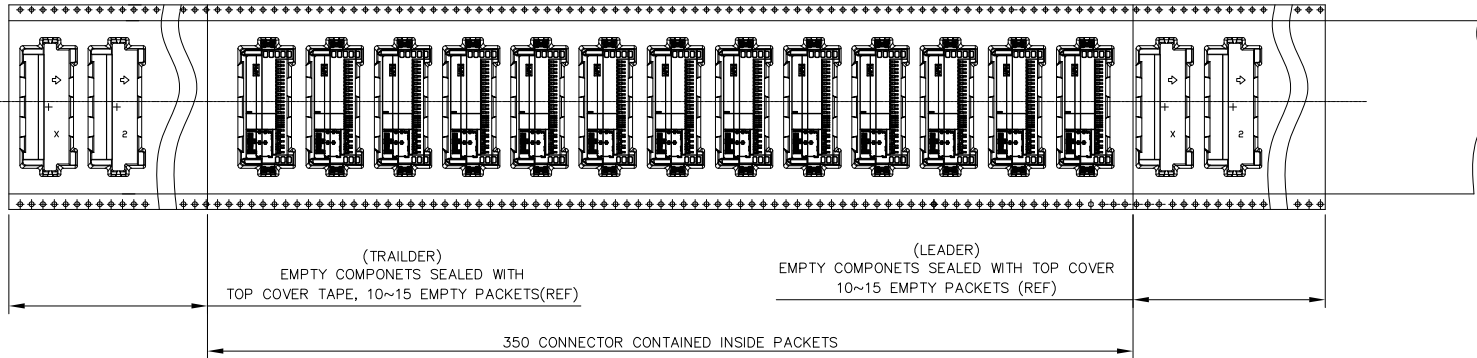


DETAIL A
SCALE 2:1



C

B



CUSTOMER'S FEEDING DIRECTION

HF(无卤)	√
Non-HF(有卤)	



UNLESS OTHERWISE SPECIFIED TOLERANCES	U.S.	METRIC
	.XX +/-	0.50
	.XXX +/-	0.25
	FRACTIONS +/-	0.20
ANGLES +/-	3°	
REMOVE SHARP EDGES	ANGLE OF PROJECTION	
DIMENSIONS		
U.S.	INCHES	
(METRIC)	(MM)	

APPROVAL	DATE	Amphenol Amphenol East Asia Limited TITLE PCIe/SAS R/A SMT RECEPTACLE H=0.35 SIZE DRAWING NO. A3 PSAS5F213002XXX SCALE NONE SHEET 3 OF 3
DRAWN Jackie.Tan	01/07/21	
CHECKED Xiang.Wang	01/07/21	
CHECKED		
DRAWING FILE :	DRAWING\PSAS\PSAS5F213002XXX-3	

A

4

3

2

1