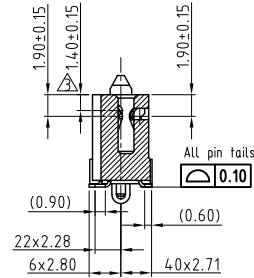
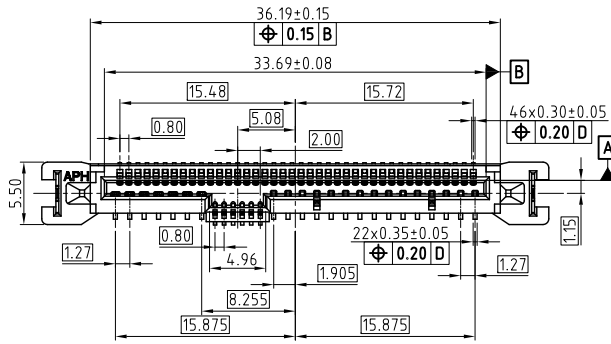
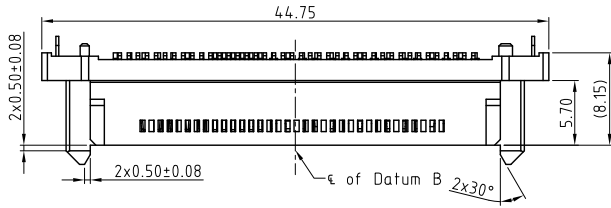


This document is the property of Amphenol Corporation and is delivered on the express condition that it is not to be disclosed, reproduced or used, in whole or in part, for manufacture or sale by anyone other than Amphenol Corporation without its prior consent, & that no right is granted to disclose or to use any information in this document.

CUSTOMER DRAWING

REVISIONS

SYM	ECN	DESCRIPTION	DATE	APPROVED
1	N/A	FIRST RELEASE	08/22/19	IP
2	HK9158	UPDATED NOTES	11/19/20	IP
3	NA	ADD BOTTOM VIEW BY CUSTOMER'S REQUEST	03/18/21	IP

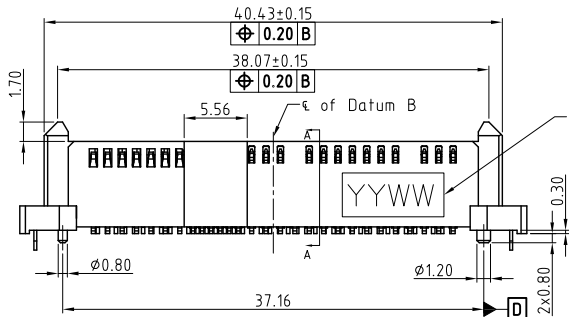


NOTES

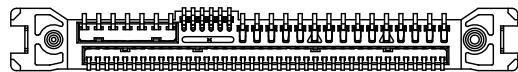
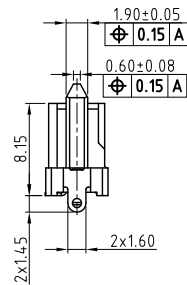
- MATERIAL
 - HOUSING: HIGH TEMPERATURE THERMOPLASTIC, UL94V-0, COLOR:BLACK.
 - CONTACTS : PHOSPHOR BRONZE
PLATING: REFER TO P/N SYSTEM ON MATING AREA.
1.27um MIN NICKEL UNDER PLATED OVERALL.
2.54um MIN PURE MATTE TIN ON SOLDER TAILS.
 - SOLDER CLIPS: COPPER ALLOY
2.54um MIN PURE MATTE TIN OVER 1.27um MIN NICKEL.
- GENERAL SPECIFICATION
 - CURRENT RATING: 1.5A/PER PIN (POWER SECTION).
 - CONTACT RESISTANCE: 30mΩ MAX (INITIAL).
 - INSULATOR RESISTANCE: 1000MΩ MIN.
 - DIELECTRIC WITHSTANDING VOLTAGE: 500 VAC
 - OPERATION TEMPERATURE: -55°C~+105°C
- PREMATING AT P4 & P12
- SUPPORT PCIe GENS
- ALL GND PINS CONNECT TOGETHER:
S1,S4,S7,E9,E12,E15,S8,S11,S14,S16,S19,S22,S25,S28,E19,E22
- DIMENSIONING SHALL BE INTERPRETED PER ASME Y14.5M 1994.
- MATERIAL SHOULD BE FULFILED AMPHENOL SPEC.S-SN-002 AND S-SN-004.
- ORDER P/N SYSTEM: PSAS5F313003XXX

MATING AREA PLATING
 1- 0.76um MIN Au.
 2- 0.38um MIN Au.
 3- Gold FLASH

PACKING STYLE
 NIL- TRAY WITHOUT PICK-UP CAP
 C- TRAY WITH PICK-UP CAP
 TR- TAPE AND REEL WITH PICK-UP CAP
 NT- TAPE AND REEL WITHOUT PICK-UP CAP



PRINTED D/C AREA
 RULE: YYWW
 YEAR
 WEEK



HF(无卤)	✓
Non-HF(有卤)	



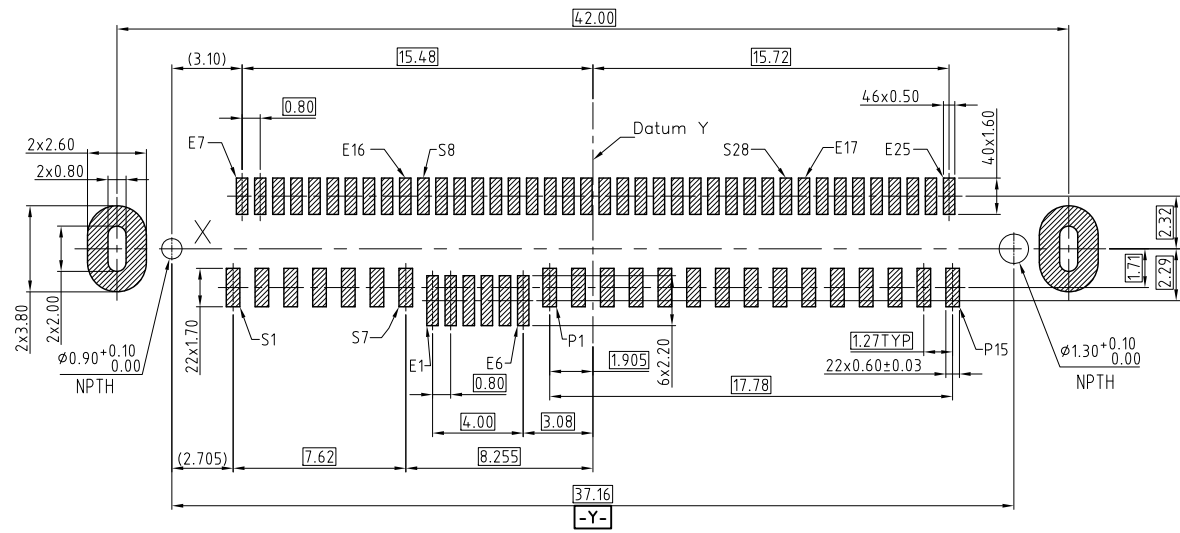
UNLESS OTHERWISE SPECIFIED TOLERANCES		APPROVAL	DATE
	U.S. METRIC	DRAWN Jackie.Tan	03/18/21
.X	+/- 0.50	CHECKED Xiang.Wang	03/18/21
.XX	+/- 0.25	CHECKED	
.XXX	+/- 0.15		
FRACTIONS	+/- 3°		
ANGLES +/-		DRAWING FILE :	
FOR MATERIALS AND FINISHES SEE NOTES		DRAWING(PSAS1/PSAS1/PSAS1/PSAS5F313003XXX-3	
REMOVE SHARP EDGES		ANGLE OF PROJECTION	
DIMENSIONS			
U.S. (METRIC)	INCHES (MM)		

Amphenol	
Amphenol East Asia Limited	
TITLE PCIe/SAS VERTICAL SMT RECEPTACLE	
SIZE DRAWING NO.	REV.
A3 PSAS5F313003XXX	3
SCALE NONE	SHEET 1 OF 3

This document is the property of Amphenol Corporation and is delivered on the express condition that it is not to be disclosed, reproduced or used, in whole or in part, for manufacture or sale by anyone other than Amphenol Corporation without its prior consent, & that no right is granted to disclose or to use any information in this document.

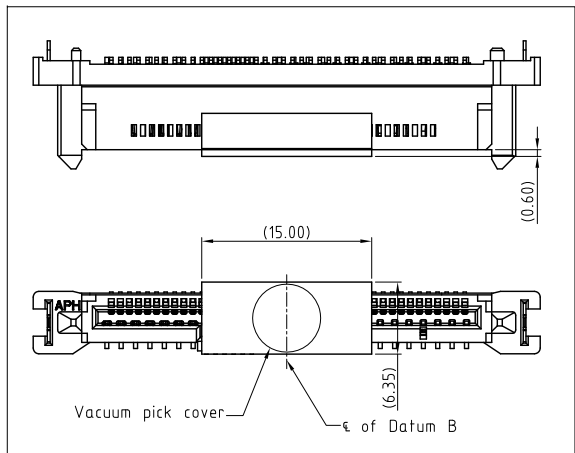
CUSTOMER DRAWING

REVISIONS				
SYM	ECN	DESCRIPTION	DATE	APPROVED
		REFER TO SHEET 1		



RECOMMENDED PCB LAYOUT(TOP VIEW)
GENERAL TOLERANCE ±0.05(PCB THICKNESS:1.0~2.0mm)

With Pick-up Cover



HF(无卤)	√
Non-HF(有卤)	



UNLESS OTHERWISE SPECIFIED TOLERANCES		APPROVAL		DATE	Amphenol Amphenol East Asia Limited
U.S. METRIC		DRAWN	Jackie.Tan	03/18/21	
.X	+/- 0.50	CHECKED	Xiang.Wang	03/18/21	TITLE PCIe/SAS VERTICAL SMT RECEPTACLE
.XX	+/- 0.25	CHECKED			
.XXX	+/- 0.15	DRAWING FILE : DRAWING\PSAS\PSAS\PSAS\PSAS5F313003XXX-3			SIZE DRAWING NO. A3 PSAS5F313003XXX
FRACTIONS	+/- 0.15	ANGLE OF PROJECTION			
ANGLES	+/- 3°	REMOVE SHARP EDGES			REV. 3
FOR MATERIALS AND FINISHES SEE NOTES		DIMENSIONS			
REMOVE SHARP EDGES		U.S. INCHES			SCALE NONE SHEET 2 OF 3
DIMENSIONS		METRIC (MM)			

This document is the property of Amphenol Corporation and is delivered on the express condition that it is not to be disclosed, reproduced or used, in whole or in part, for manufacture or sale by anyone other than Amphenol Corporation without its prior consent, & that no right is granted to disclose or to use any information in this document.

CUSTOMER DRAWING

REVISIONS				
SYM	ECN	DESCRIPTION	DATE	APPROVED
REFER TO SHEET 1				

D

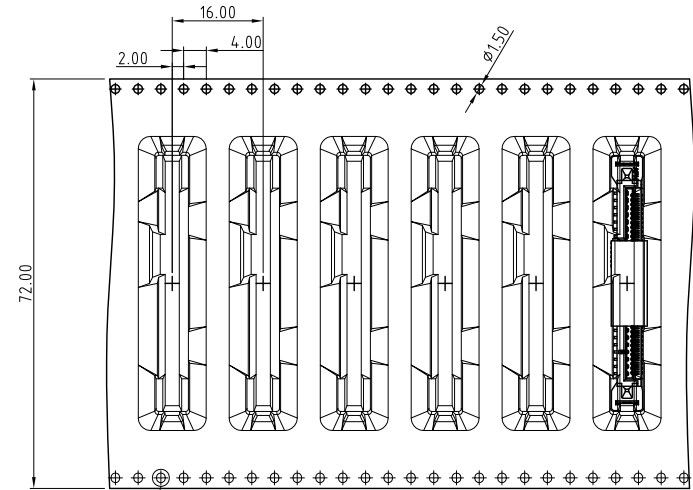
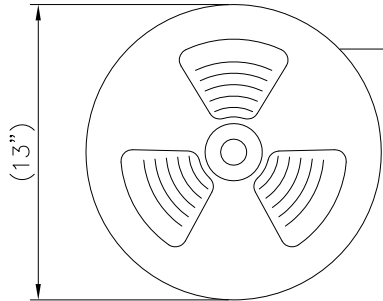
D



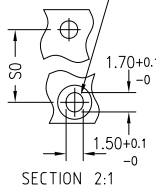
USER'S FEEDING DIRECTION

PACKING DIRECTION

CUSTOMER'S FEEDING DIRECTION



DETAIL A
SCALE 2:1

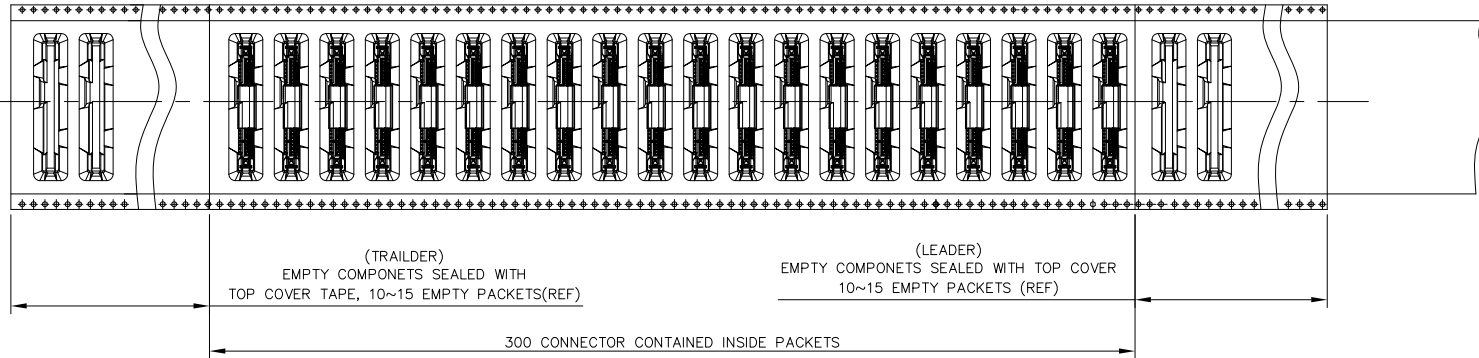


C

C

B

B



A

A



CUSTOMER'S FEEDING DIRECTION

HF(无卤)	✓
Non-HF(有卤)	



UNLESS OTHERWISE SPECIFIED TOLERANCES U.S. METRIC .XX +/- 0.50 .XXX +/- 0.25 FRACTIONS +/- 0.20 ANGLES +/- 3° FOR MATERIALS AND FINISHES SEE NOTES	APPROVAL	DATE	Amphenol Amphenol East Asia Limited TITLE PCIe/SAS V/T SMT 68PIN SOCKET
	DRAWN Jackie Tan	03/18/21	
	CHECKED Kiang Wang	03/18/21	
	CHECKED		
REMOVE SHARP EDGES	DRAWING FILE : DRAWING\PSAS\PSAS\PSAS5F313003XXX-3		SIZE DRAWING NO.
DIMENSIONS	ANGLE OF PROJECTION		A3 PSAS5F313003XXX
U.S. INCHES	FIRST ANGLE		REV. 3
(METRIC) (MM)	SCALE	NONE	SHEET 3 OF 3

4

3

2

1