

This document is the property of Amphenol Corporation and is delivered on the express condition that it is not to be disclosed, reproduced or used, in whole or in part, for manufacture or sale by anyone other than Amphenol Corporation without its prior consent, & that no right is granted to disclose or to use any information in this document.

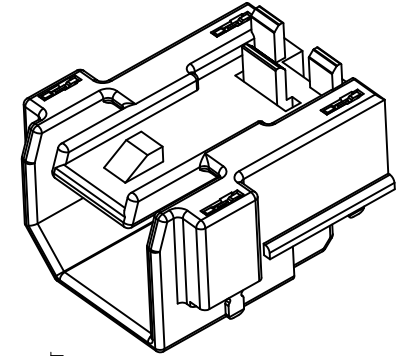
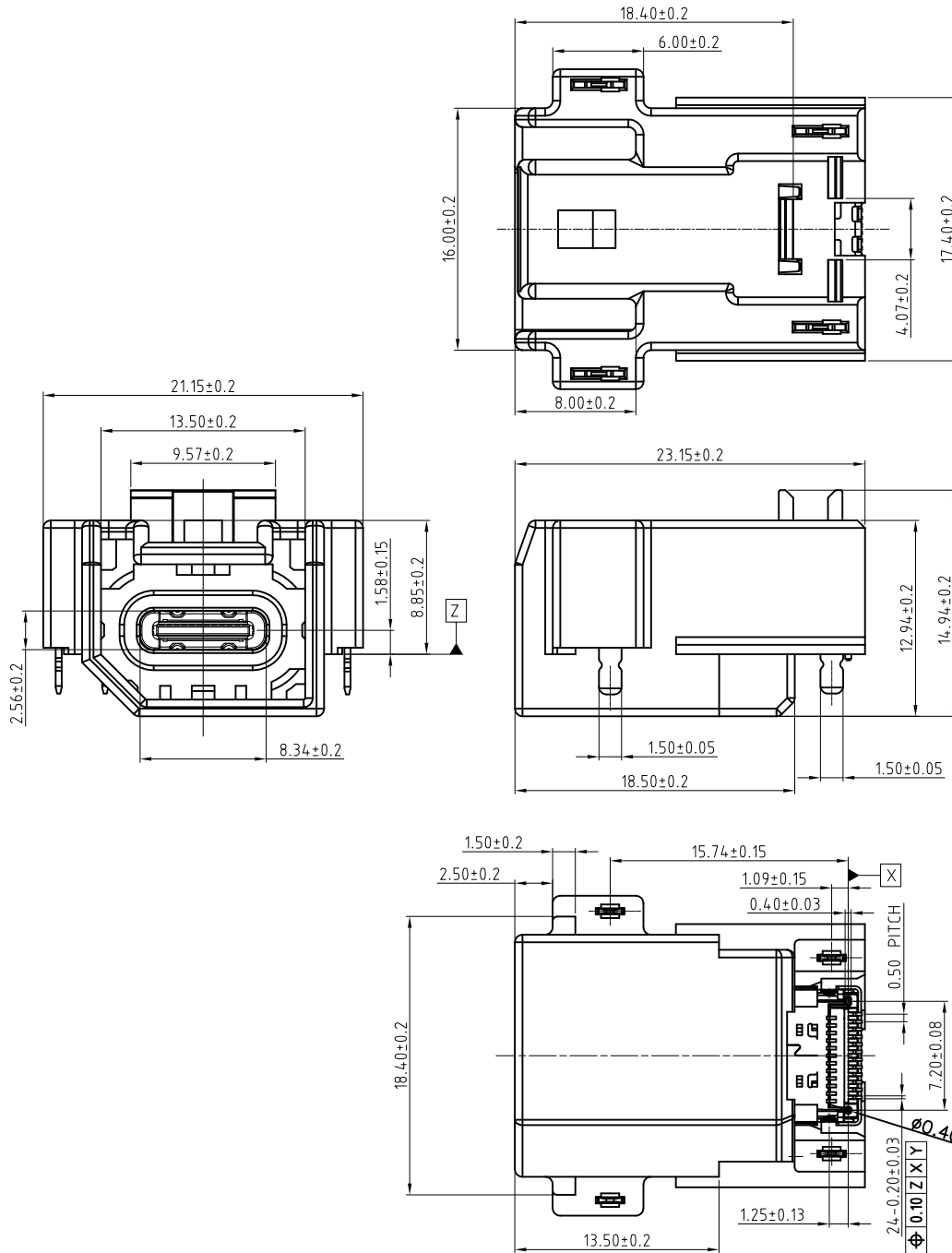
CUSTOMER DRAWING

REVISIONS

SYM	ECN	DESCRIPTION	DATE	APPROVED
1	N/A	FIRST RELEASE	25/03'21	IP
2	N/A	ADJUST THE POSITION OF SOLDER PEG AND LENGTH	01/04'21	IP
3	N/A	ADJUST THE SIZE TOLERANCE	08/04'21	IP
4	N/A	ADD THE POST SIZE AND ADJUST THE SIZE TOLERANCE	09/04'21	IP
5	N/A	ADJUST THE POST AND SHELL DIP TOLERANCE	12/04'21	IP
6	N/A	MODIFY THE LENGTH OF BOARD LOCK DIP	16/04'21	IP
7	N/A	REVISED PACKING DIAGRAM	09/06'21	IP

D
C
B
A

D
C
B
A



HF(无卤)	✓
Non-HF(有卤)	



No	Part name	Q'ty	Material	Finish	Remark
5	solder peg	4	Copper Alloy	Sn 2um, Ni 1.25um	0.4
4	Outer-Housing	1	Nylon	See the table	-
3	Shell	1	Stainless Steel	Ni 1.25um	T0.2
2	Contact	24	Copper Alloy	Note 2	T0.1
1	Housing of USB CONN.	1	High temperature thermoplastic	Black Color	-

UNLESS OTHERWISE SPECIFIED TOLERANCES	
U.S.	METRIC
.X	+/- 0.50
.XX	+/- 0.25
.XXX	+/- 0.20
FRACTIONS +/-	
ANGLES +/-	3°
FOR MATERIALS AND FINISHES SEE NOTES	
REMOVE SHARP EDGES	
DIMENSIONS	
U.S.	INCHES
(METRIC)	(MM)

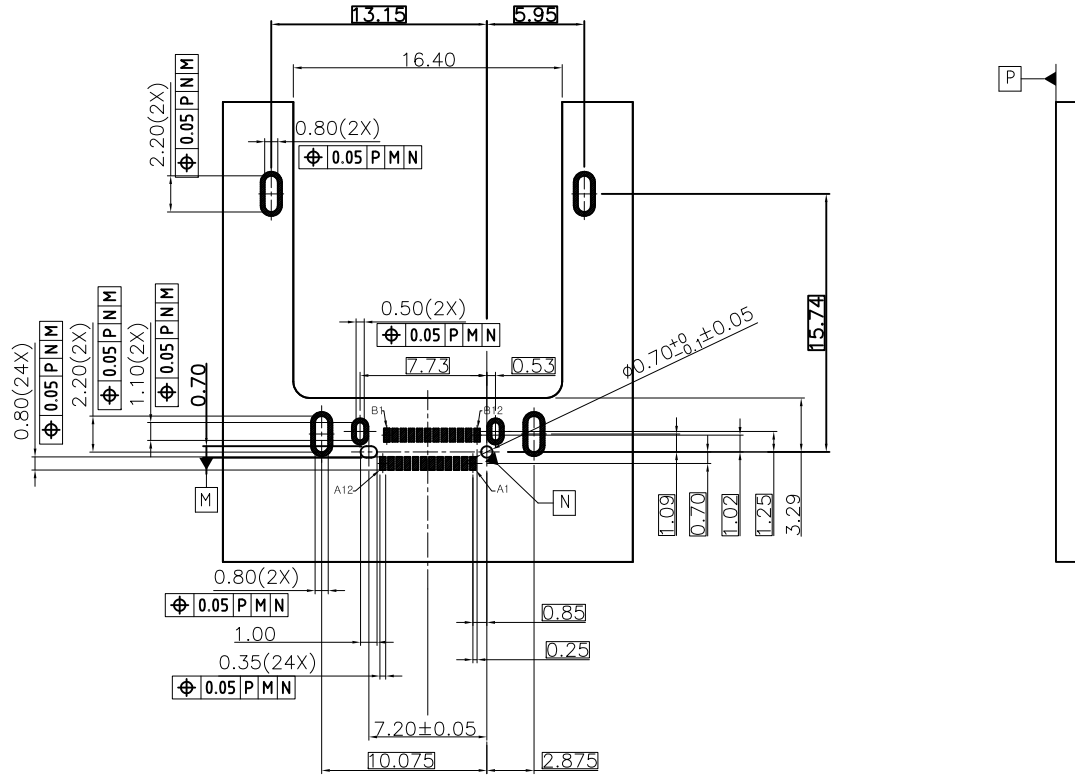
APPROVAL	DATE
DRAWN	April 06/09'21
CHECKED	
CHECKED	
DRAWING FILE :	
ANGLE OF PROJECTION	

Amphenol	
Amphenol East Asia Limited	
TITLE Customer Drawing For HSBridge+	
USB TYPE-C R/A TAIL DUAL SMT RECEPTACLE	
SIZE	DRAWING NO.
A3	UTCXR0111003SR
SCALE	SHEET 1 OF 4
NONE	7

This document is the property of Amphenol Corporation and is delivered on the express condition that it is not to be disclosed, reproduced or used, in whole or in part, for manufacture or sale by anyone other than Amphenol Corporation without its prior consent, & that no right is granted to disclose or to use any information in this document.

CUSTOMER DRAWING

REVISIONS				
SYM	ECN	DESCRIPTION	DATE	APPROVED



RECOMMENDED PCB LAYOUT

THICKNESS 1.60mm
TOLERANCE +/-0.05mm, SCALE 1:1

HF(无卤)	√
Non-HF(有卤)	



NOTE2: Pins Description

Pin No	Signal Name	Mating Sequence	Pin No	Signal Name	Mating Sequence
A1	GND	First	B12	GND	First
A2	TX1+	Second	B11	RX1+	Second
A3	TX1-	Second	B10	RX1-	Second
A4	Vbus	First	B9	Vbus	First
A5	CC1	Second	B8	SBU2	Second
A6	D+	Second	B7	D-	Second
A7	D-	Second	B6	D+	Second
A8	SBU1	Second	B5	CC2	Second
A9	Vbus	First	B4	Vbus	First
A10	RX2-	Second	B3	TX2-	Second
A11	RX2+	Second	B2	TX2+	Second
A12	GND	First	B1	GND	First
SHELL			GND		
SHELL			GND		

UNLESS OTHERWISE SPECIFIED TOLERANCES		APPROVAL		DATE	Amphenol Amphenol East Asia Limited
U.S. METRIC		DRAWN	April	06/09/21	
.XX	+/-	CHECKED			TITLE Customer Drawing For HSBridge+ USB TYPE-C R/A TAIL DUAL SMT RECEPTACLE
.XX	+/-	CHECKED			
FRACTIONS +/-		DRAWING FILE :			SIZE DRAWING NO.
ANGLES +/-		ANGLE OF PROJECTION			SCALE
REMOVE SHARP EDGES		SCALE			REV.
DIMENSIONS		SCALE			7
U.S. INCHES	(METRIC)	SCALE			SHEET 2 OF 4

This document is the property of Amphenol Corporation and is delivered on the express condition that it is not to be disclosed, reproduced or used, in whole or in part, for manufacture or sale by anyone other than Amphenol Corporation without its prior consent, & that no right is granted to disclose or to use any information in this document.

CUSTOMER DRAWING

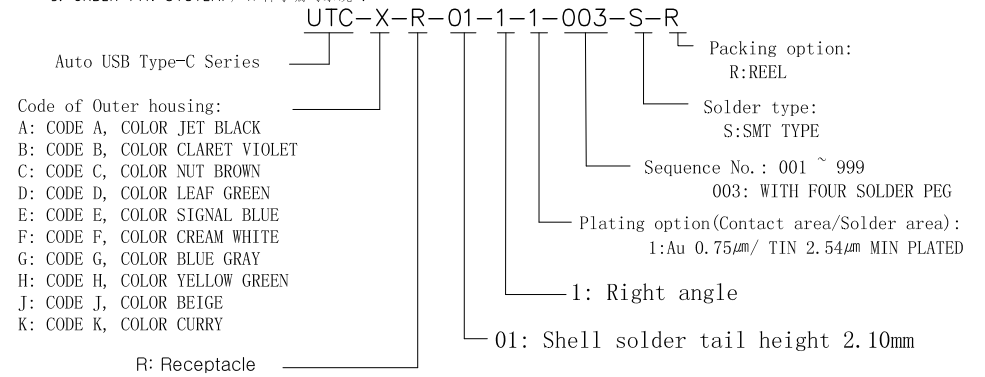
REVISIONS				
SYM	ECN	DESCRIPTION	DATE	APPROVED

TABLE: CODE OPTION

CODE	RECEPTACLE	CASE COLOR	CASE COLOR	RECEPTACLE	CODE
A		JET BLACK	CLARET VIOLET	 NO TOOLING	B
C	 NO TOOLING	NUT BROWN	LEAF GREEN	 NO TOOLING	D
E	 NO TOOLING	SIGNAL BLUE	CREAM WHITE	 NO TOOLING	F
G	 NO TOOLING	BLUE GRAY	YELLOW GREEN	 NO TOOLING	H
J	 NO TOOLING	BEIGE	CURRY	 NO TOOLING	K

NOTES/注释:

- MATERIAL/材料:
 - OUTER-HOUSING: HIGH TEMPERATURE THERMOPLASTIC, UL94V-0, COLOR:PER THE TABLE.
外壳: 耐高温热塑性塑胶, UL94 V-0防火等级, 颜色依表格
 - CONTACTS/端子: COPPER ALLOY/铜合金
PLATING: REFER TO P/N SYSTEM ON MATING AREA.
电镀规格: 接触区域电镀请参考料号编码对应编码
1.27um MIN NICKEL UNDER PLATED OVERALL.
整体底层镀材为镍层, 厚度最少1.27微米。
2.54um MIN PURE MATTE TIN ON SOLDER TAILS.
焊接区域为雾锡, 厚度最少2.54微米
 - INNER SHELL:STAINLESS STEEL; NICKEL PLATING.
铁壳: 不锈钢, 镀镍。
 - OUTER SHELL:STAINLESS STEEL; NICKEL PLATING.
铁壳: 不锈钢, 镀镍。
- GENERAL SPECIFICATION/通用特性:
 - CURRENT RATING: 5A.
额定电流: 5安培。
 - CONTACT RESISTANCE: 40mΩ MAX (INITIAL).
接触电阻: 40毫欧最大(初始值)
 - INSULATOR RESISTANCE: 100MΩ MIN.
接触电阻: 100兆欧最小
 - DIELECTRIC WITHSTANDING VOLTAGE: 100 VAC
耐电压: 100伏交流
 - OPERATION TEMPERATURE: -40°C~+100°C
操作温度: 零下40摄氏度至100摄氏度
- DIMENSIONING SHALL BE INTERPRETED PER ASME Y14.5M 1994.
尺寸标注基于ASME Y14.5M 1994标准规范
- MATERIAL SHOULD BE FULFILLED AMPHENOL SPEC.# S-SN-002, HALOGEN FREE PRODUCTS NEED TO MEET S-SN-004.
产品材料环保标准为Amphenol SSN#002,无卤产品满足标准SSN#004
- ORDER P/N SYSTEM/产品料号编码系统:



HF(无卤)	✓
Non-HF(有卤)	

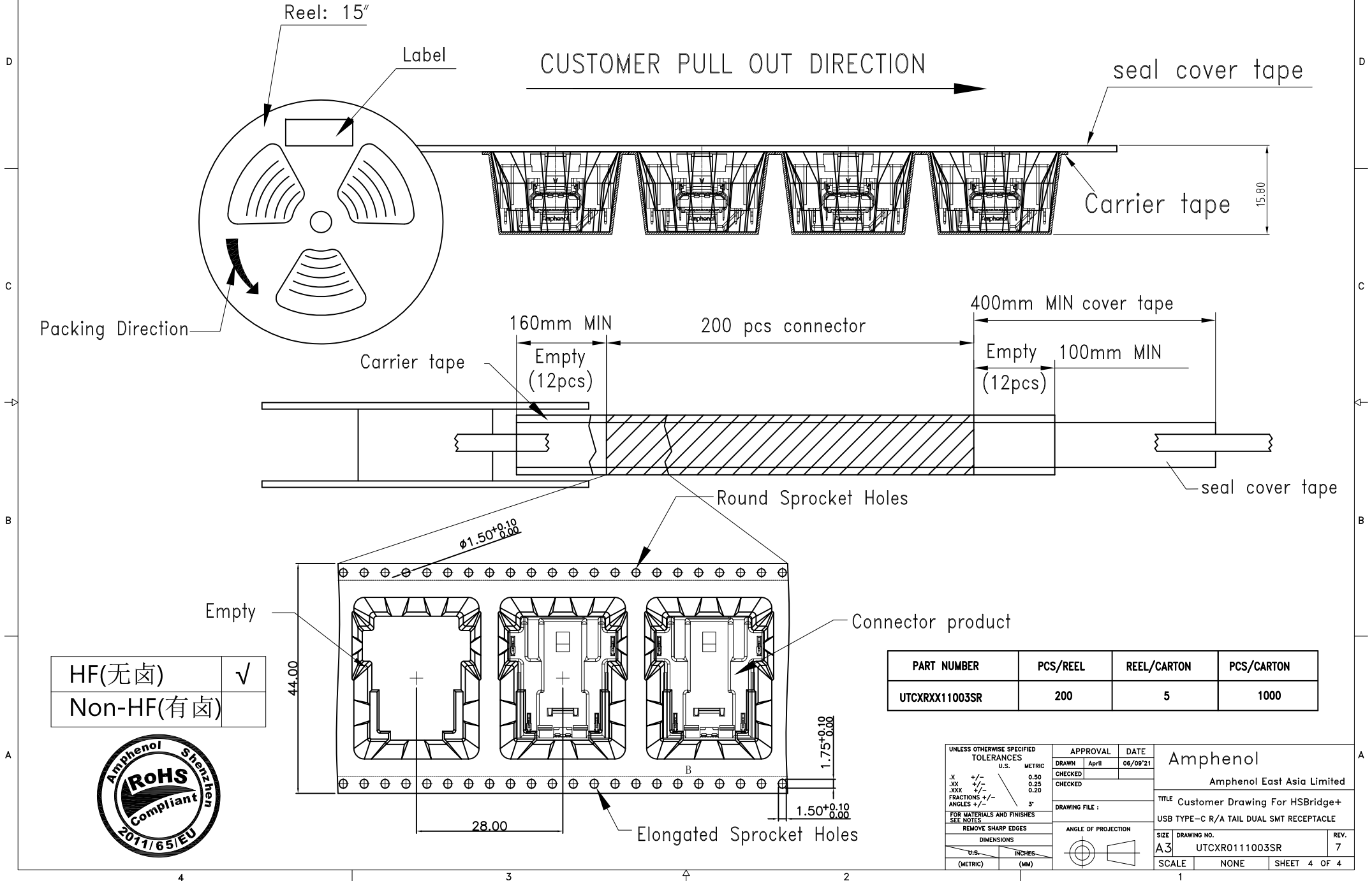


UNLESS OTHERWISE SPECIFIED TOLERANCES		APPROVAL		DATE	Amphenol
U.S.	METRIC	DRAWN	April	06/09/21	
.X	+/-	CHECKED			Amphenol East Asia Limited
.XX	+/-	CHECKED			
.XXX	+/-				TITLE Customer Drawing For HSBridge+
FRACTIONS +/-	0.50				USB TYPE-C R/A TAIL DUAL SMT RECEPTACLE
ANGLES +/-	0.25				DRAWING FILE:
	0.20				REMOVE SHARP EDGES
	3°				DIMENSIONS
					ANGLE OF PROJECTION
					U.S. INCHES
					(METRIC) (MM)
					SIZE DRAWING NO.
					A3 UTXCR0111003SR
					SCALE NONE
					REV. 7
					SHEET 3 OF 4

This document is the property of Amphenol Corporation and is delivered on the express condition that it is not to be disclosed, reproduced or used, in whole or in part, for manufacture or sale by anyone other than Amphenol Corporation without its prior consent, & that no right is granted to disclose or to use any information in this document.

CUSTOMER DRAWING

REVISIONS				
SYM	ECN	DESCRIPTION	DATE	APPROVED



HF(无卤)	√
Non-HF(有卤)	



PART NUMBER	PCS/REEL	REEL/CARTON	PCS/CARTON
UTCXRX11003SR	200	5	1000

<small>UNLESS OTHERWISE SPECIFIED TOLERANCES</small> U.S. METRIC .X +/- 0.50 .XX +/- 0.25 .XXX +/- 0.20 FRACTIONS +/- ANGLES +/- 3° <small>FOR MATERIALS AND FINISHES SEE NOTES</small>	APPROVAL	DATE	Amphenol Amphenol East Asia Limited TITLE Customer Drawing For HSBridge+ USB TYPE-C R/A TAIL DUAL SMT RECEPTACLE SIZE DRAWING NO. A3 UTCXRO111003SR SCALE NONE SHEET 4 OF 4
	DRAWN April	06/09/21	
	CHECKED		
	CHECKED		
REMOVE SHARP EDGES	ANGLE OF PROJECTION		
DIMENSIONS			
U.S. INCHES (METRIC) (MM)			